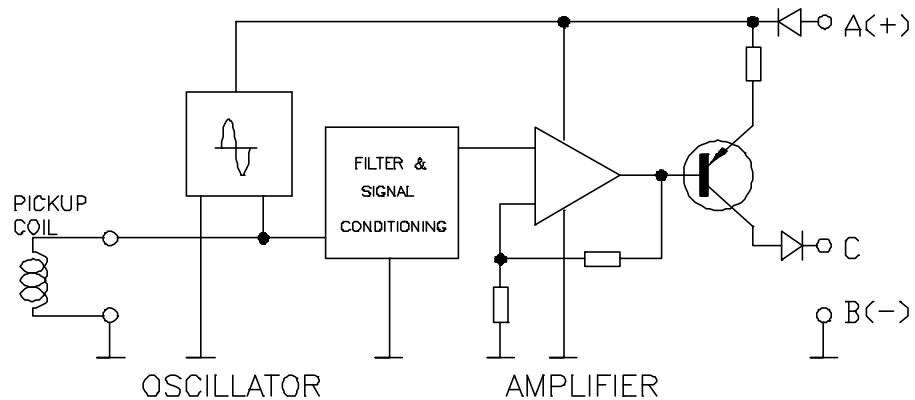



A - SUPPLY(+)
 B - GROUND(-)
 C - FREQUENCY OUTPUT

SUPPLY VOLTAGE.....: 10-30 VOLT DC
 SUPPLY CURRENT.....: 9mA @ 15 VOLT, MAX 18mA
 MINIMUM FREQUENCY.: 0.5 Hz
 FREQUENCY OUT.....: FLOW DEPENDENT, MAX 2000Hz
 SIGNAL OUT.....: SQUARE WAVE, 50% DUTY CYCLE
 $V_{high} = V_{cc} - 1.4V - (120 \times I_{out})$
 $V_{low} = \sim 0V$
 LOAD.....: >500Ω
 DRIVING CAPACITY.....: 10mA MAX
 TEMPERATURE RANGE: -60°F TO 185°F (-50°C-85°C)



<small>THIS PRINT, INCLUDING THE INFORMATION CONTAINED IN IT, IS THE PROPERTY OF AW COMPANY. IT IS CONSIDERED PROPRIETARY IN NATURE AND MAY NOT BE USED OR DISCLOSED OUTSIDE OF AW COMPANY, EXCEPT UNDER PRIOR WRITTEN AGREEMENT. ANY MODIFICATIONS MADE TO OR COMMENTS WRITTEN ON THIS DRAWING BY UNAUTHORIZED PERSONNEL WILL VOID THIS DRAWING.</small>	 AW COMPANY FRANKSVILLE, VA 22125	
	TITLE: CAPM-3	
	DRAWING NUMBER: CAP3500B	PART NUMBER: AP00300
	DATE: 01-28-99	REV: B DRAWN BY: SHANE WILSON
	CHECKED BY: C.H.	PAGE 1 OF 1 SCALE: NONE