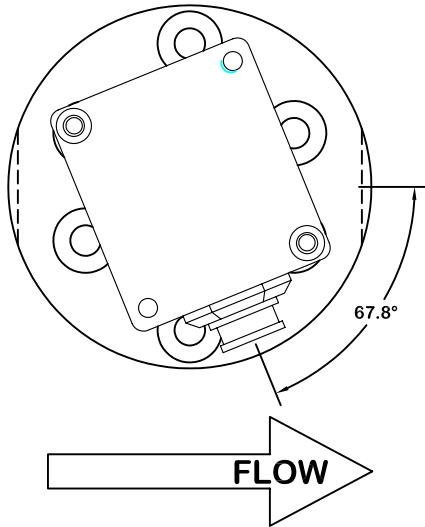
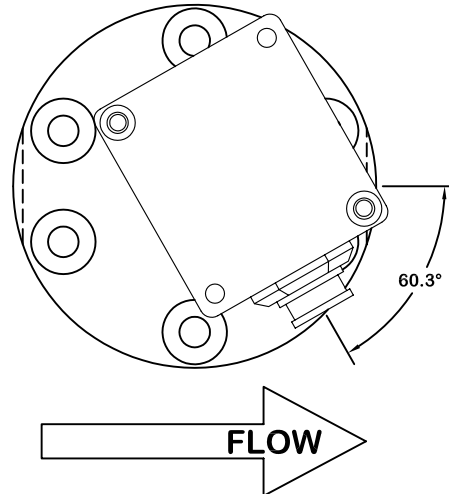


DH & HEF SENSOR POSITION ON -CG AND -KG GEAR METERS

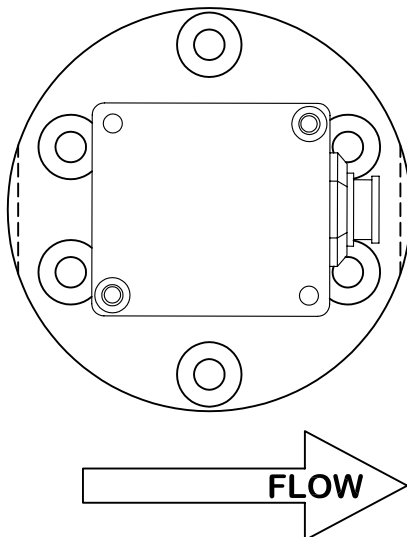
JV-01CG



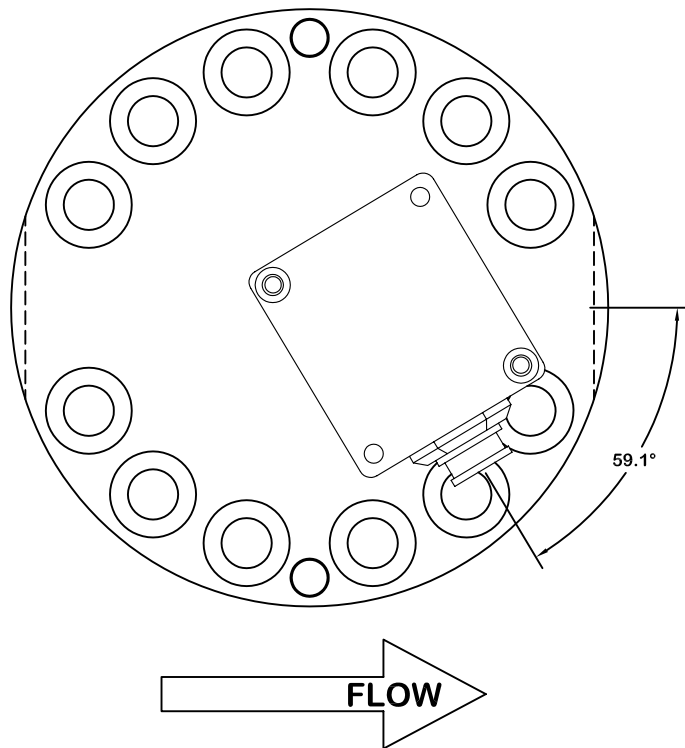
JV-10CG / -12KG



JV-15CG / -20xG / -30xG

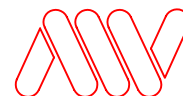


JV-60xG



AW COMPANY USE ONLY

THIS PRINT, INCLUDING THE INFORMATION CONTAINED IN IT, IS THE PROPERTY OF AW COMPANY. IT IS CONSIDERED PROPRIETARY IN NATURE AND MAY NOT BE USED OR DISCLOSED OUTSIDE OF AW COMPANY, EXCEPT UNDER PRIOR WRITTEN AGREEMENT. ANY MODIFICATIONS MADE TO OR COMMENTS WRITTEN ON THIS DRAWING BY UNAUTHORIZED PERSONNEL WILL VOID THIS DRAWING. ALL DIMENSIONS SHOWN ARE SUBJECT TO CHANGE WITHOUT NOTICE.



AW COMPANY
8809 INDUSTRIAL DRIVE
FRANKSVILLE, WI 53126
TEL. # (262) 884-9800
FAX. # (262) 884-9810

TITLE: DH & HEF SENSOR POSITION			
DRAWING NUMBER: HEFD800A		PART NUMBER: -	
DATE: 10-11-05	REV: A	DRAWN BY: CHRIS HUSSON	
CHECKED BY: C.H.	PAGE 1 OF 1	SCALE: NONE	