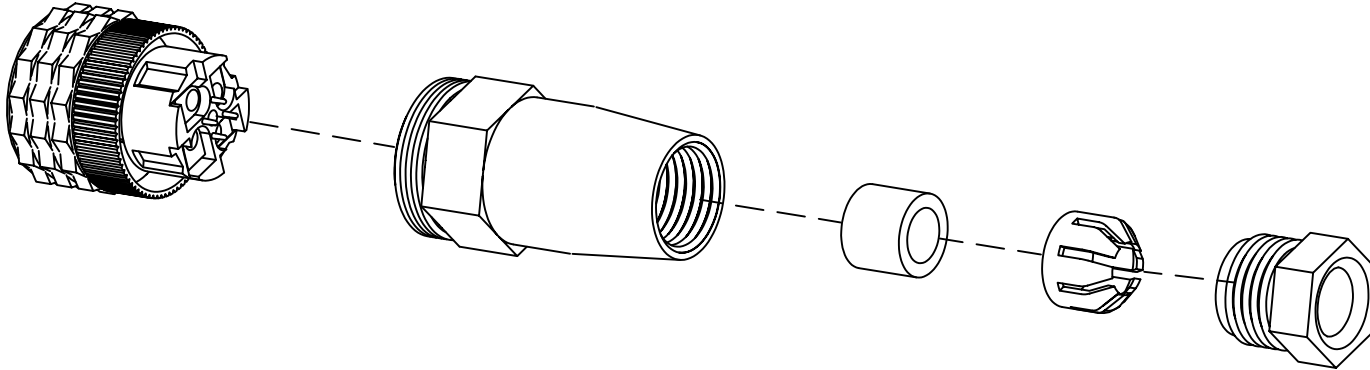


5 PIN HIRSCHMANN CONNECTOR

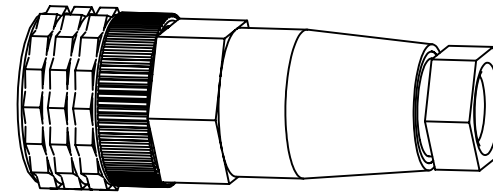
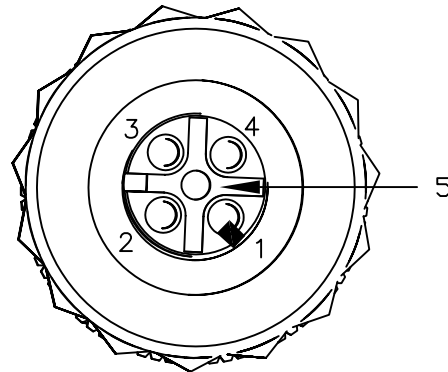


PINOUT FOR:
DSV-100

- 1= SUPPLY (red)
- 2= GROUND (black)
- 3= SIGNAL 1 (white)
- 4= SIGNAL 2 (green)
- 5= ANALOG OUTPUT

PINOUT FOR:
PROSCAN

- 1= -mA (green)
- 2= +mA (white)
- 3= 12-24VDC (red)
- 4= GROUND (black)
- 5= SERIAL OUT



PURCHASED PART DRAWING

THIS PRINT, INCLUDING THE INFORMATION CONTAINED IN IT, IS THE PROPERTY OF AW COMPANY. IT IS CONSIDERED PROPRIETARY IN NATURE AND MAY NOT BE USED OR DISCLOSED OUTSIDE OF AW COMPANY, EXCEPT UNDER PRIOR WRITTEN AGREEMENT. ANY MODIFICATIONS MADE TO OR COMMENTS WRITTEN ON THIS DRAWING BY UNAUTHORIZED PERSONNEL WILL VOID THIS DRAWING. ALL DIMENSIONS SHOWN ARE SUBJECT TO CHANGE WITHOUT NOTICE.



AW COMPANY
8809 INDUSTRIAL DRIVE
FRANKSVILLE, WI 53126
TEL. # (262) 884-9800
FAX. # (262) 884-9810

TITLE: 5 PIN HIRSCHMANN CONNECTOR

DRAWING NUMBER: HIRS500A PART NUMBER: C026505

DATE: 3-22-04 REV: A DRAWN BY: SCOTT HONSBERGER

CHECKED BY: C.H. PAGE 1 OF 1 SCALE: NONE