

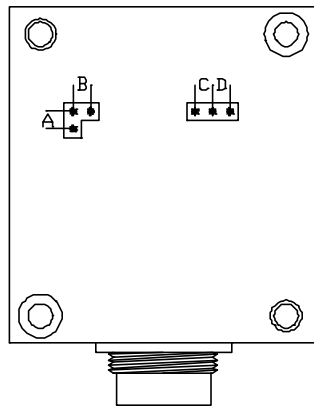
HDS 1S1, HDS 2S1, HDS 3S1 & Ex VERSION

DUAL PICKUP WITH DOUBLE FREQUENCY SIGNAL
FOR ZHM-01, ZHM-02, ZHM-02/1, ZHM-03

REV	DESCRIPTION	DATE	APPR. BY
A	INITIAL RELEASE	10-03-94	A.W.
B	CORRECTED OUTPUT PINS	05-28-96	A.W.

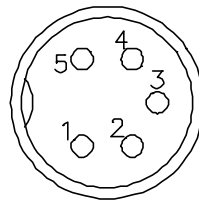
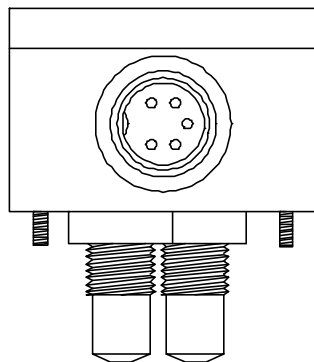
PROGRAMMING OF JUMPERS

JUMPER	SIGNAL 1 OUT	SIGNAL 2 OUT
A + D	DIRECTION SIGNAL	SIGNAL 2
A + C	SIGNAL 1	SIGNAL 2
B + D	DIRECTION SIGNAL	SIGNAL 1+2 (2*f)
B + C	SIGNAL 1	SIGNAL 1+2 (2*f)

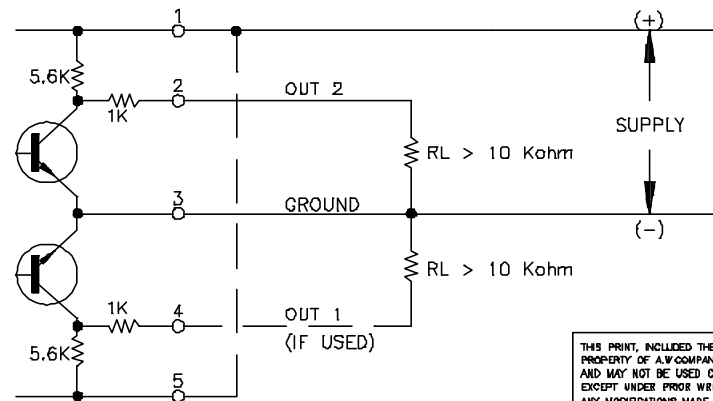


TAKE COVER OFF TO GET TO JUMPERS


ALWAYS TIE 1 & 5 TOGETHER AT THE CONNECTOR



- 1 - 8 - 28V DC
- 2 - SIGNAL 2 OUT
- 3 - 0V/ GROUND
- 4 - SIGNAL 1 OUT
- 5 - TIED TO PIN 1



THIS PRINT, INCLUDING THE INFORMATION CONTAINED IN IT, IS THE PROPERTY OF A.W. COMPANY. IT IS CONSIDERED PROPRIETARY IN NATURE AND MAY NOT BE USED OR DISCLOSED OUTSIDE OF A.W. COMPANY EXCEPT UNDER PRIOR WRITTEN AGREEMENT. ANY MODIFICATIONS MADE TO OR COMMENTS WRITTEN ON THIS DRAWING BY UNAUTHORIZED PERSONNEL WILL VOID THIS DRAWING

		AW-COMPANY	
		FRANKSVILLE, WI 53126	
TITLE: HDS xS1 & Ex PICKUPS			
DRAWING NUMBER: HDSX300B			
DRAWN BY: GUS SKIAKER			
DATE: 05-28-96		CHECKED BY: A.W.	
PAGE 1 OF 1		SCALE: NONE	