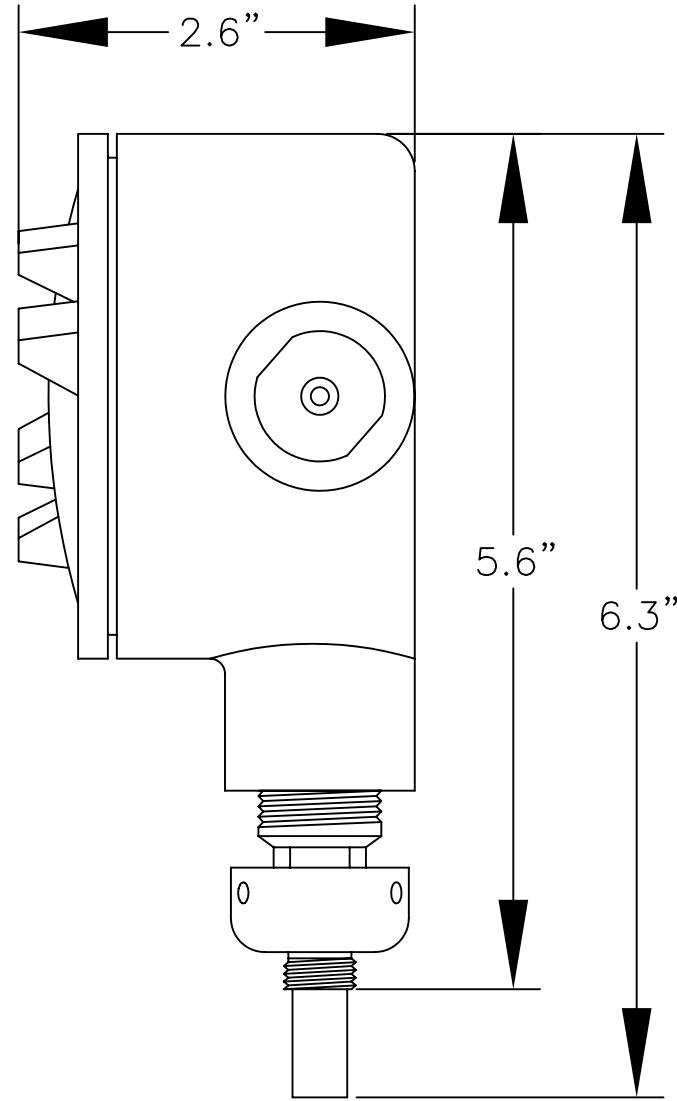
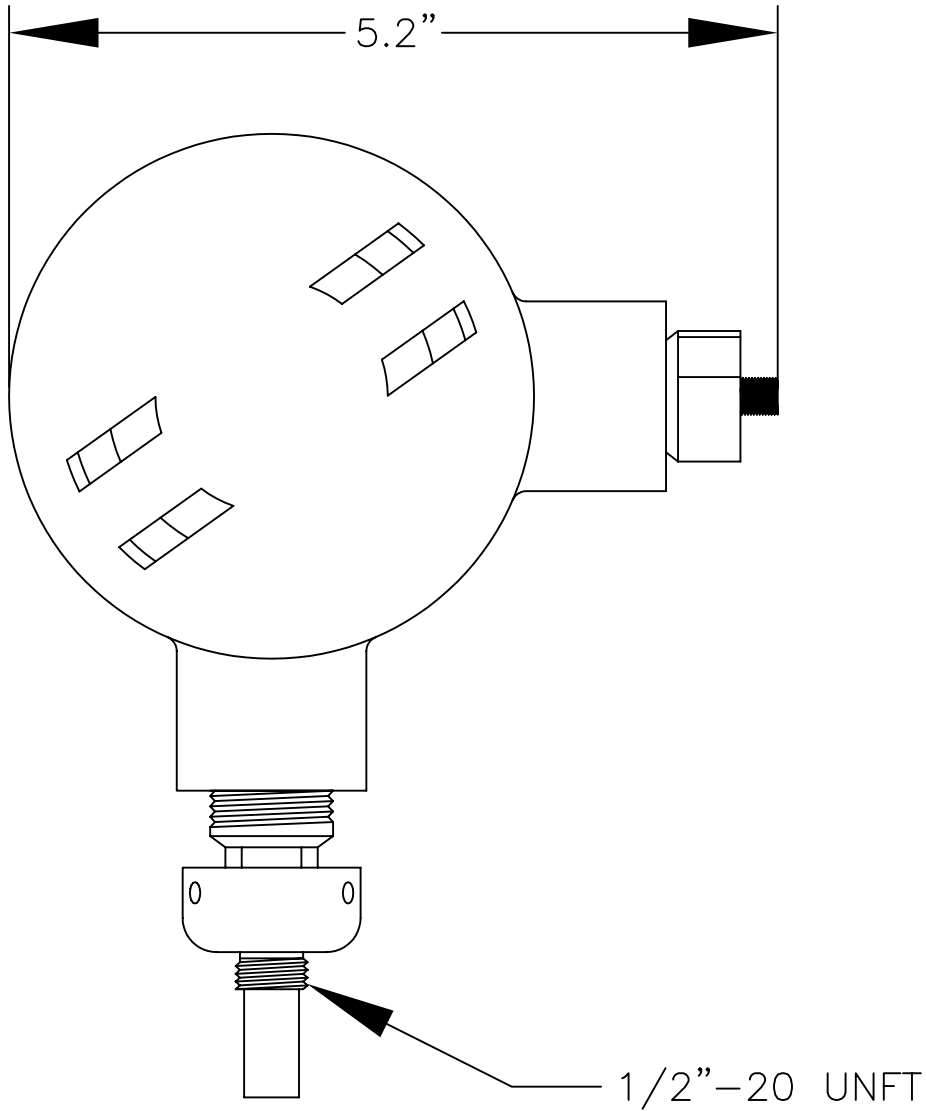



# FOP-20 DIMENSIONS

REV	DESCRIPTION	DATE	APPR. BY
A	INITIAL RELEASE	08-18-93	A.W.
B	UPDATED TITLE	09-05-95	A.W.



THIS PRINT, INCLUDED THE INFORMATION CONTAINED IN IT, IS THE PROPERTY OF A.W.COMPANY. IT IS CONSIDERED PROPRIETARY IN NATURE AND MAY NOT BE USED OR DISCLOSED OUTSIDE OF A.W.COMPANY EXCEPT UNDER PRIOR WRITTEN AGREEMENT.  
 ANY MODIFICATIONS MADE TO OR COMMENTS WRITTEN ON THIS DRAWING BY UNAUTHORIZED PERSONNEL WILL VOID THIS DRAWING  
 THIS IS NOT A MANUFACTURING DRAWING UNLESS INDICATED AS SUCH. ANY DIMENSIONS ARE SUBJECT TO CHANGE WITHOUT NOTICE.

 <b>AW-COMPANY</b> FRANKSVILLE, WI 53126			
		TITLE: FOP-20 DIMENSIONS	
DRAWING NUMBER: FOP2503B		DRAWN BY: GUS SKIAKER	
DATE: 09-05-95		CHECKED BY: G.S.	
PAGE 1	OF 1	SCALE: NONE	