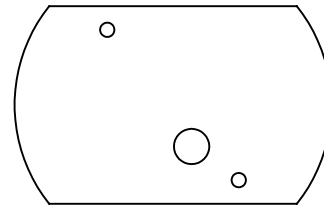
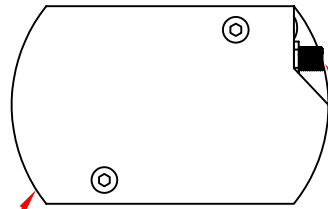
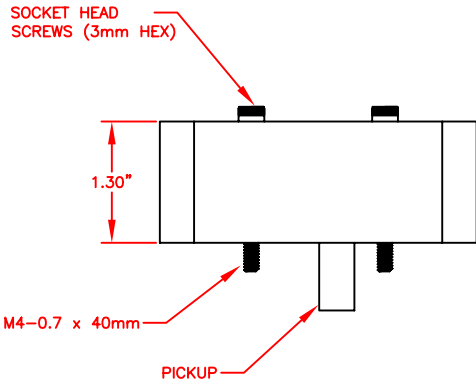


# SIDE VIEW

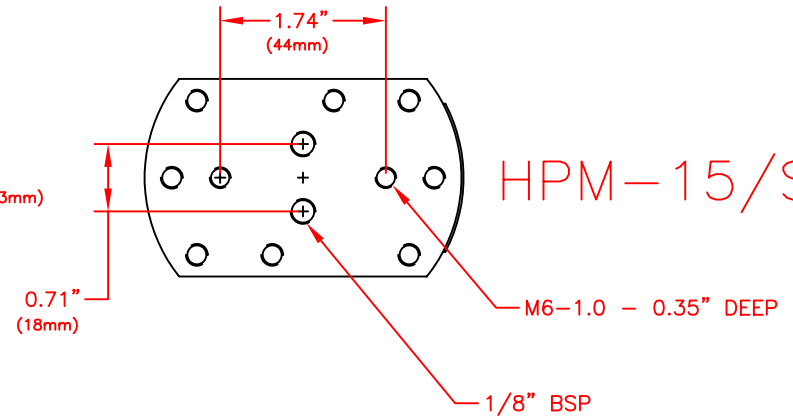
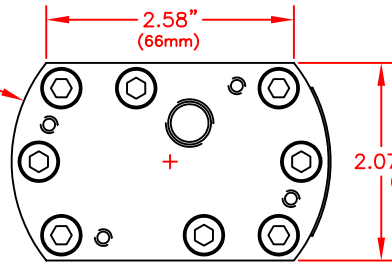
# TOP VIEW

# BOTTOM VIEW

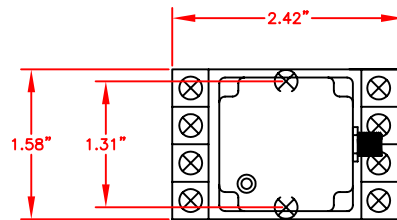
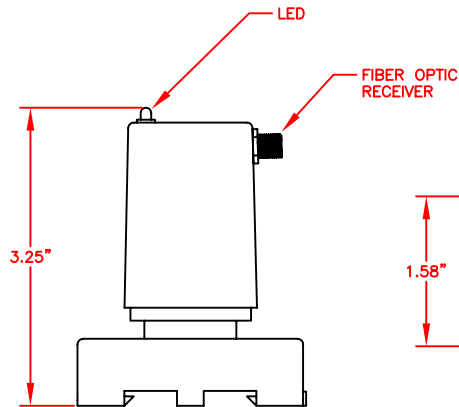
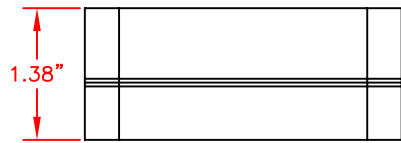
FOP-30



Ø3.32" (84.4mm)



HPM-15/SLG



OPTV-20

THIS PRINT, INCLUDING THE INFORMATION CONTAINED IN IT, IS THE PROPERTY OF AW COMPANY. IT IS CONSIDERED PROPRIETARY IN NATURE AND MAY NOT BE USED OR DISCLOSED OUTSIDE OF AW COMPANY, EXCEPT UNDER PRIOR WRITTEN AGREEMENT. ANY MODIFICATIONS MADE TO OR COMMENTS WRITTEN ON THIS DRAWING BY UNAUTHORIZED PERSONNEL WILL VOID THIS DRAWING.



AW COMPANY  
FRANKSVILLE, WI 53126

TITLE: FOP-30 SYSTEM DIMENSIONS			
DRAWING NUMBER: FOP3901C		PART NUMBER: —	
DATE: 05-11-98	REV: C	DRAWN BY: CHRIS HUSSON	
CHECKED BY: C.H.	PAGE 1 OF 1	SCALE: NONE	