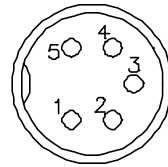
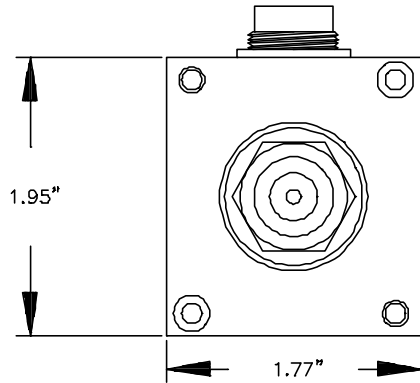


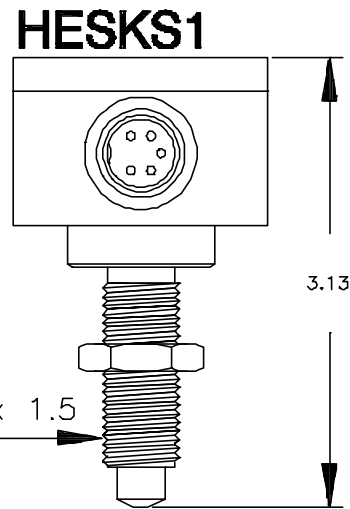
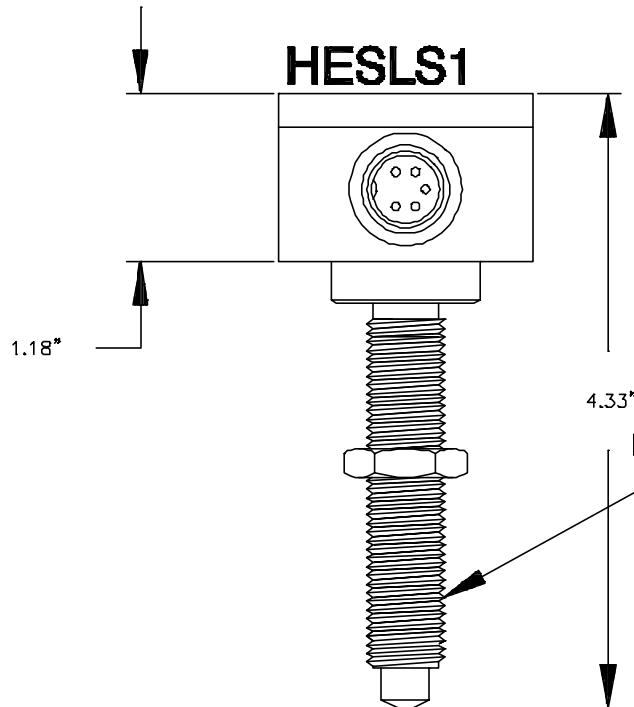
HESLS1 & HESKS1 PICKUPS

REV	DESCRIPTION	DATE	APPR. BY
A	INITIAL RELEASE	03-23-94	A.W.

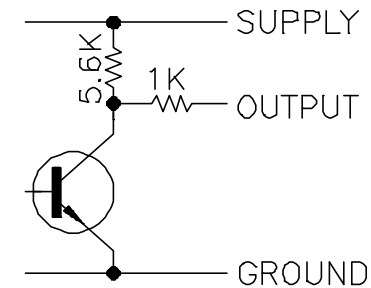


- 1 - +8 - 28 VDC
- 2 - OUTPUT
- 3 - 0V (GND)
- 4 - NOT USED
- 5 - NOT USED

SUPPLY CURRENT: < 8mA
 PULSE HIGH: SUPPLY - 1.2V
 PULSE LOW: < 0.7V
 FREQUENCY: MAX 3KHz



OUTPUT CIRCUIT



INSTALLATION TIPS

TURN UNTIL HAND TIGHT.
 BACK OFF 1/4 TURN,
 AND TIGHTEN THE
 LOCK NUT.

		AW-COMPANY	
		FRANKSVILLE, WI 53126	
TITLE: HESLS1 & HESKS1			
DRAWING NUMBER: HESX300A			
DRAWN BY: GUS SKIAKER			
DATE: 03-23-94		CHECKED BY: A.W.	
PAGE 1 OF 1		SCALE: NONE	

THIS PRINT, INCLUDING THE INFORMATION CONTAINED IN IT, IS THE PROPERTY OF A.W. COMPANY. IT IS CONSIDERED PROPRIETARY IN NATURE AND MAY NOT BE USED OR DISCLOSED OUTSIDE OF A.W. COMPANY EXCEPT UNDER PRIOR WRITTEN AGREEMENT.
 ANY MODIFICATIONS MADE TO OR COMMENTS WRITTEN ON THIS DRAWING BY UNAUTHORIZED PERSONNEL WILL VOID THIS DRAWING