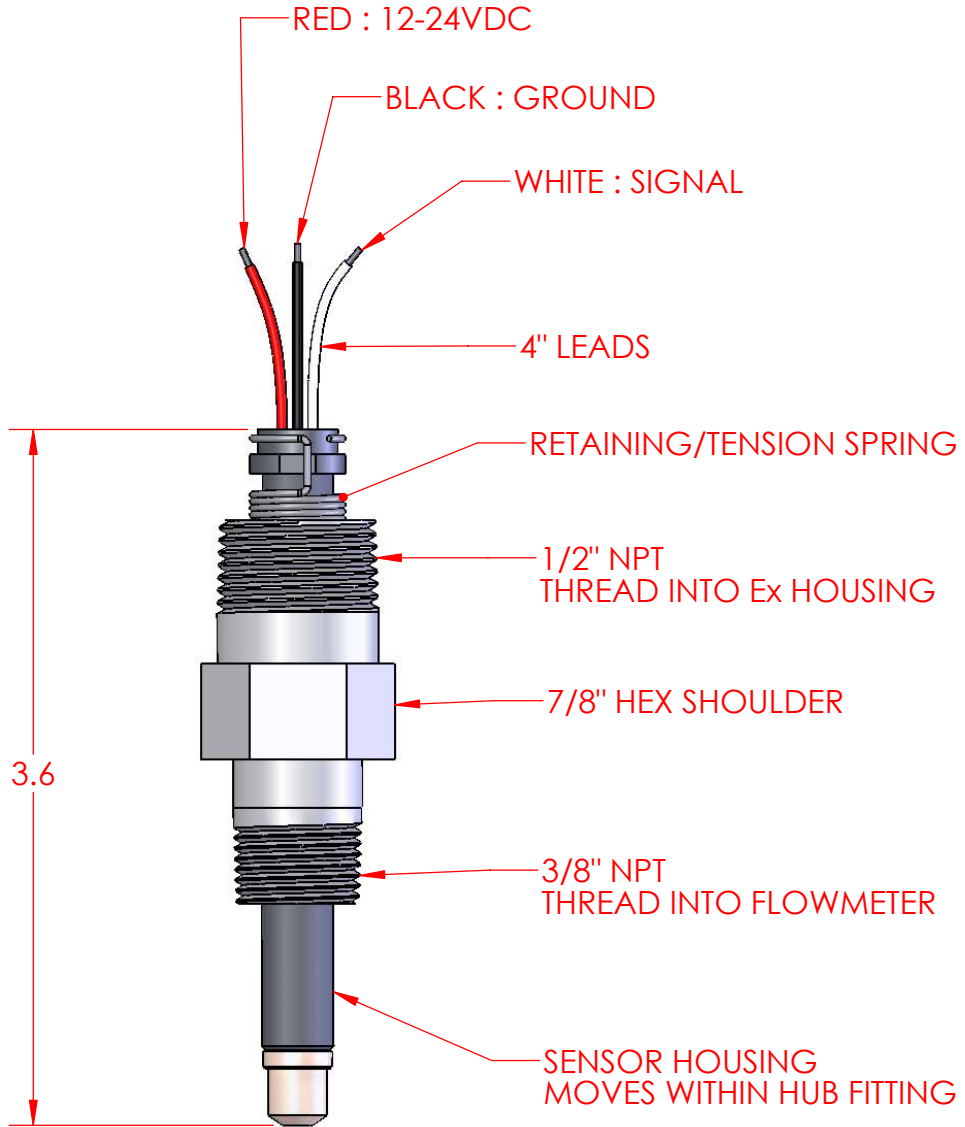


HUB-30-Ex

PULSE OUTPUT PICKUP



REV.	DESCRIPTION OF CHANGE	DATE	BY
A	INITIAL RELEASE	02/08/06	CH

TOLERANCES UNLESS NOTED
ENGLISH

AW COMPANY USE ONLY

THIS PRINT, INCLUDING THE INFORMATION CONTAINED IN IT IS THE PROPERTY OF AW COMPANY. IT IS CONSIDERED PROPRIETARY IN NATURE AND MAY NOT BE USED OR DISCLOSED OUTSIDE OF AW COMPANY, EXCEPT UNDER PRIOR WRITTEN AGREEMENT. ANY MODIFICATIONS MADE TO OR COMMENTS WRITTEN ON THIS DRAWING BY UNAUTHORIZED PERSONNEL WILL VOID THIS DRAWING. ALL DIMENSIONS SHOWN ARE SUBJECT TO CHANGE WITHOUT NOTICE.



AW COMPANY
8809 INDUSTRIAL DR.
FRANKSVILLE, WI 53126
TEL. # (262) 884-9800
FAX. # (262) 884-9810

TITLE: HALL-Ex HUB SENSOR SPECS.	
PART NUMBER: PU70020	
DRAWING NUMBER: HUBH700A	REV: A
DRAWN BY: CHRIS HUSSON	DATE: 02/13/06
CHECKED BY: C.H.	PAGE: 1 OF 1
SCALE: NONE	