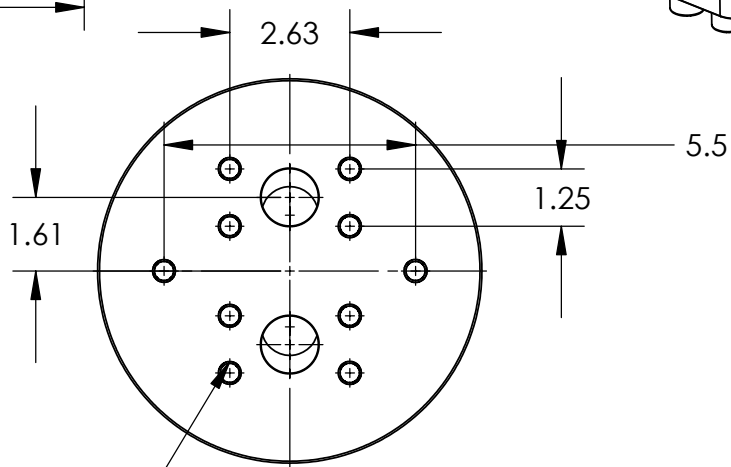
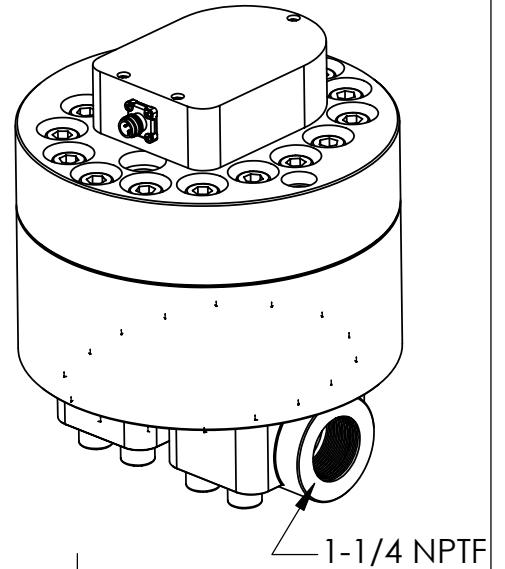
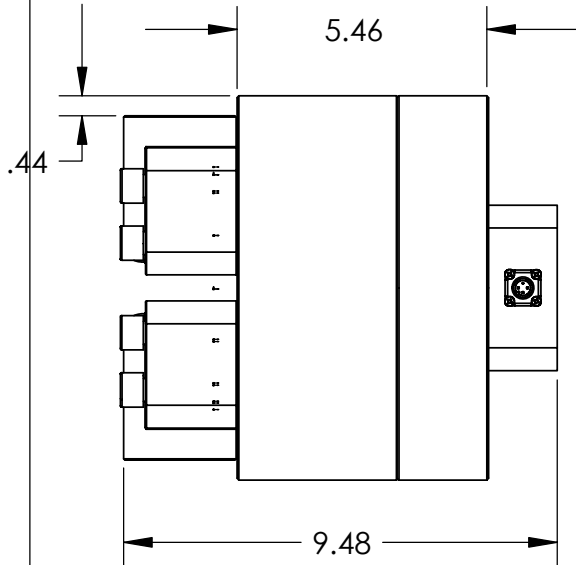
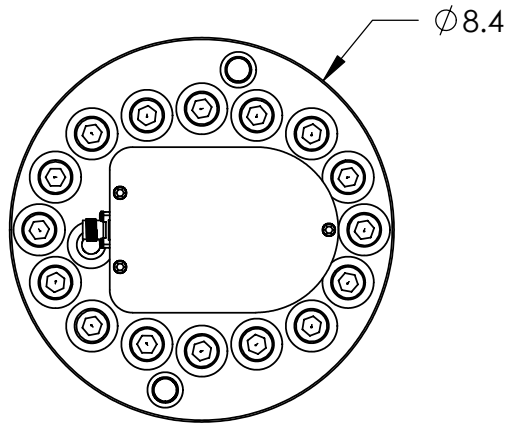


JV-80KL w/FLANGE



1/2-13 Tapped Hole

<p>PROPRIETARY AND CONFIDENTIAL THE INFORMATION CONTAINED IN THIS DRAWING IS THE SOLE PROPERTY OF <INSERT COMPANY NAME HERE>. ANY REPRODUCTION IN PART OR AS A WHOLE WITHOUT THE WRITTEN PERMISSION OF <INSERT COMPANY NAME HERE> IS PROHIBITED.</p>			<p>DIMENSIONS ARE IN INCHES TOLERANCES: FRACTIONAL ± ANGULAR: MACH ± BEND ± TWO PLACE DECIMAL ± THREE PLACE DECIMAL ±</p>	NAME	DATE	<p>AW COMPANY</p> <p>JV-80KL FLOWMETER DIMENSIONS</p>	
				DRAWN	SCOTT H.		5/25/04
				CHECKED			
				ENG APPR.			
				MFG APPR.			
			MATERIAL	Q.A.			
			FINISH	COMMENTS:			
	NEXT ASSY	USED ON				SIZE A DWG. NO. JV80800B REV. B	
	APPLICATION		DO NOT SCALE DRAWING			SCALE:1:4 WEIGHT: SHEET 1 OF 1	