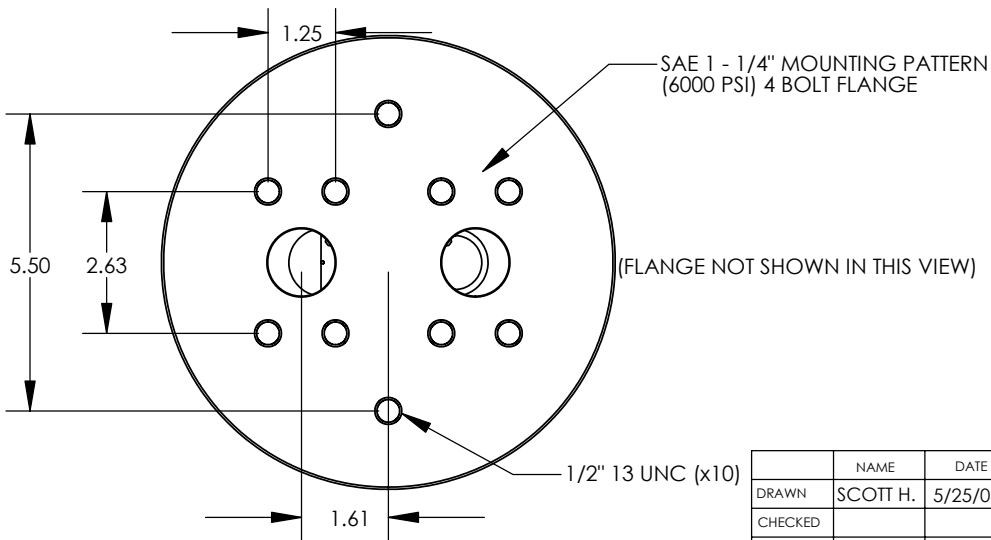
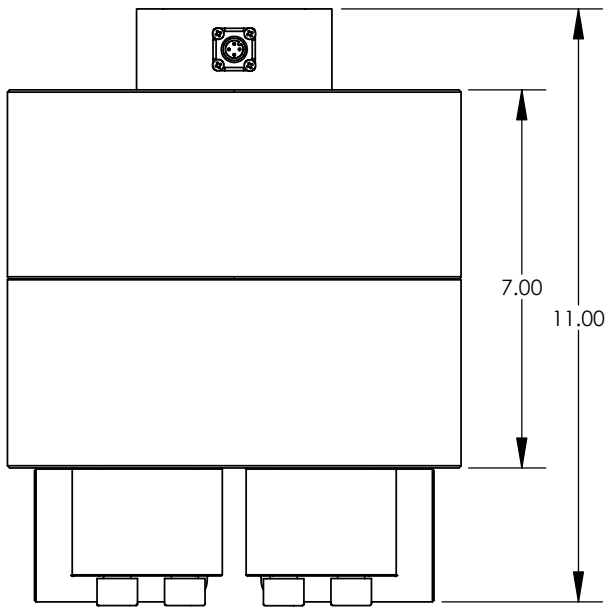
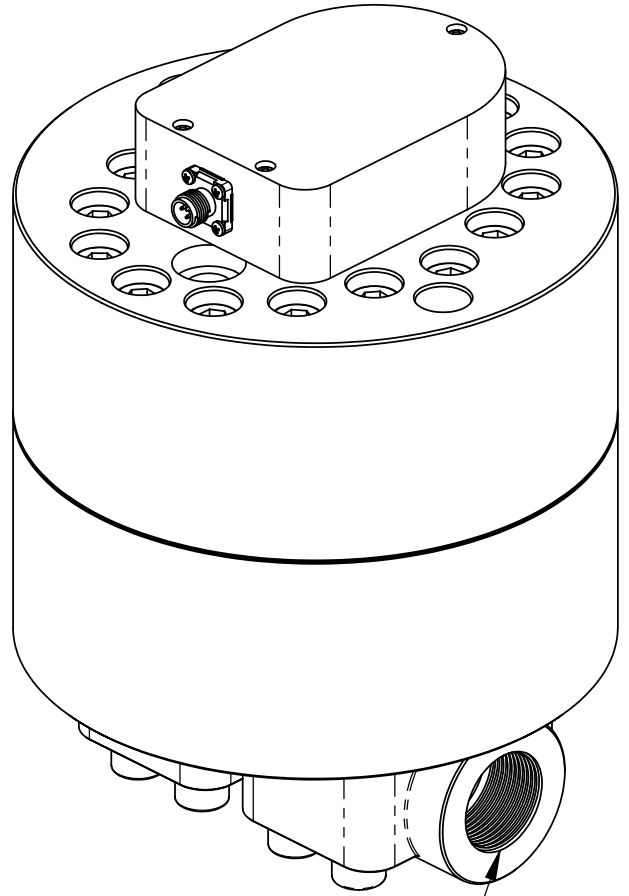
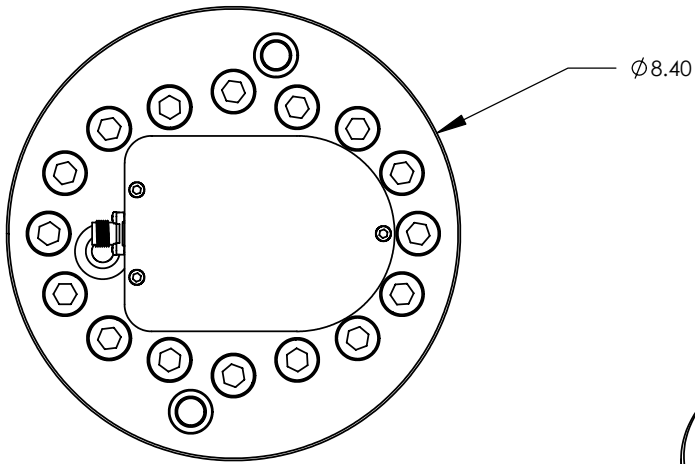


JV-90KL FLOWMETER

REV. A		REVISIONS	DATE	APPROVED
REV.	A	DESCRIPTION	04/01/02	SW
A		INITIAL RELEASE		



PROPRIETARY AND CONFIDENTIAL

THIS PRINT, INCLUDING THE INFORMATION CONTAINED IN IT, IS THE PROPERTY OF AW COMPANY. IT IS CONSIDERED PROPRIETARY IN NATURE AND MAY NOT BE USED OR DISCLOSED OUTSIDE OF AW COMPANY, EXCEPT UNDER PRIOR WRITTEN AGREEMENT. ANY MODIFICATION MADE TO OR COMMENTS WRITTEN ON THIS DRAWING BY UNAUTHORIZED PERSONNEL WILL VOID THIS DRAWING. ALL DIMENSIONS SHOWN ARE SUBJECT TO CHANGE WITHOUT NOTICE.

NAME	DATE
DRAWN SCOTT H.	5/25/04
CHECKED	
ENG APPR.	
MFG APPR.	
Q.A.	
COMMENTS: DIMENSIONS ARE IN INCHES	

AW COMPANY	
JV-90KL FLOWMETER DIMENSIONS	
SIZE A	DWG. NO. JV90800B
SCALE: NONE	REV. B
PART #:	SHEET 1 OF 1