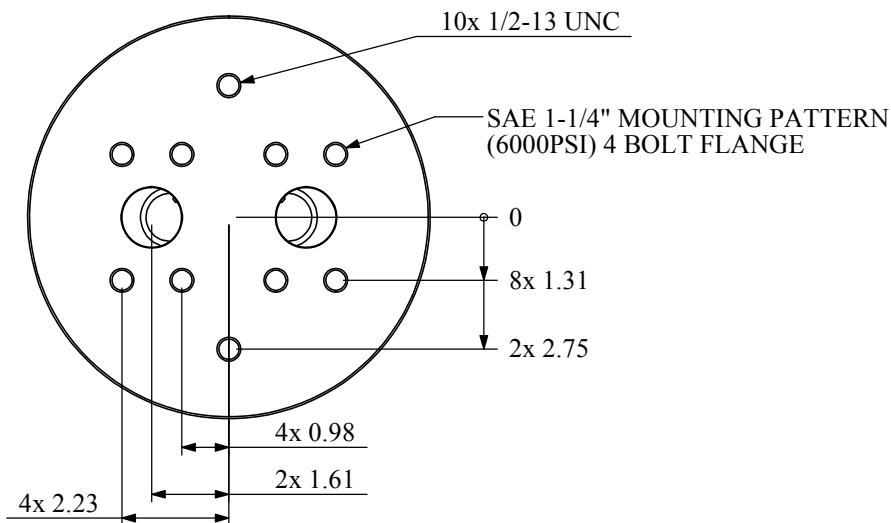
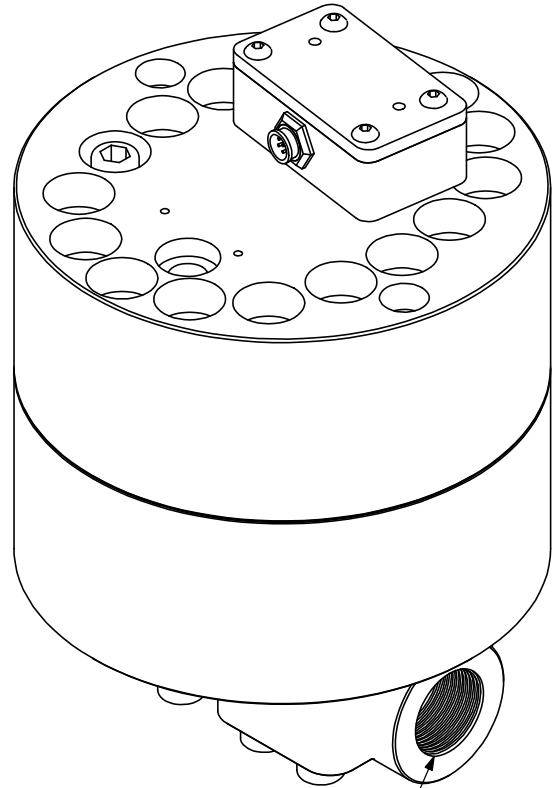
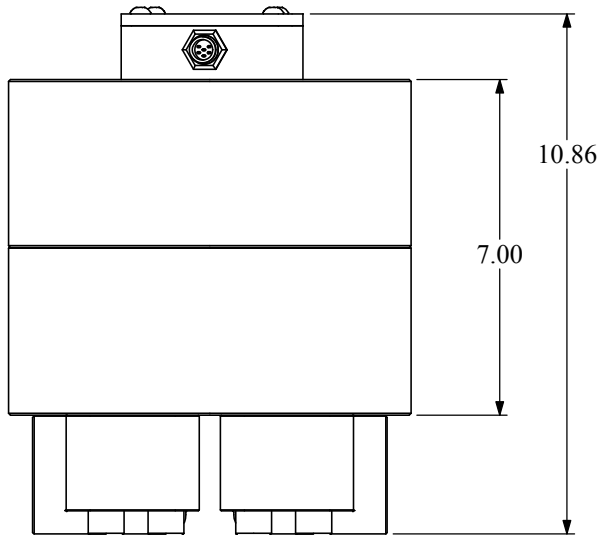
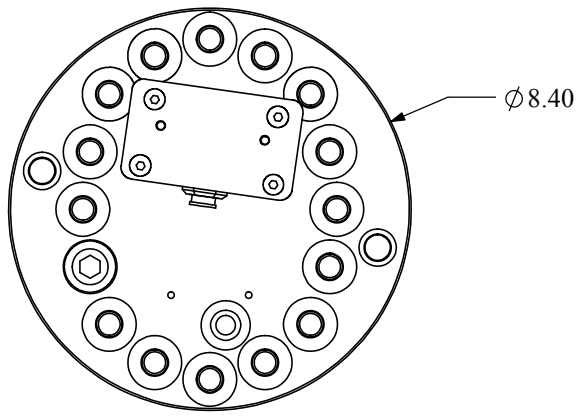


JVx-90KL FLOWMETER SHOWN W/ FLANGE AND QUAD-4 SENSOR



REV.	DESCRIPTION	DATE	APPROVED
REVISIONS			

**AW-LAKE COMPANY USE ONLY
PURCHASED PART**

THIS PRINT, INCLUDING THE INFORMATION CONTAINED IN IT IS THE PROPERTY OF AW-LAKE COMPANY. IT IS CONSIDERED PROPRIETARY IN NATURE AND MAY NOT BE USED OR DISCLOSED OUTSIDE OF AW-LAKE COMPANY, EXCEPT UNDER PRIOR WRITTEN AGREEMENT. ANY MODIFICATIONS MADE TO OR COMMENTS WRITTEN ON THIS DRAWING BY UNAUTHORIZED PERSONNEL WILL VOID THIS DRAWING. ALL DIMENSIONS SHOWN ARE SUBJECT TO CHANGE WITHOUT NOTICE.

TOLERANCES UNLESS NOTED ENGLISH
 .XXXX +/- .0005
 .XXX +/- .001
 .XX +/- .01
 FRAC. +/- 1/64
 ANG. +/- 0.1 DEG
 SURFACE FINISH: 64 MAX

PROJECT NAME: JVX-90KL	
PART DESCRIPTION: JVX-90KL W/ QUAD-4 SENSOR	
MATERIAL:	
FINISH:	
HARDENING:	
DRAWING NUMBER: JV90800C	REV: C
PART NUMBER:	DATE: --/--
DRAWN BY: SHONBERGER	
PAGE: 1 OF 2	SCALE: 1:5



AW-LAKE COMPANY
A T&E COMPANY

8809 INDUSTRIAL DR.
 FRANKSVILLE, WI
 53126
 TEL. # (262) 884-9800
 FAX. # (262) 884-9810