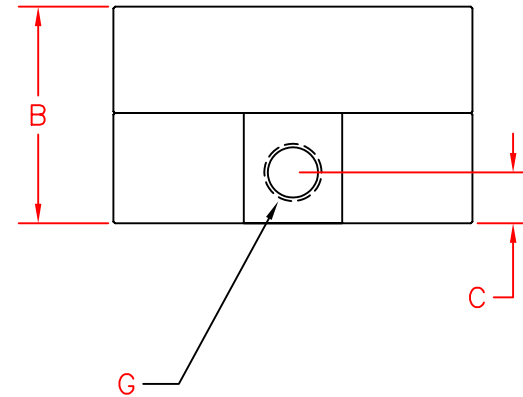
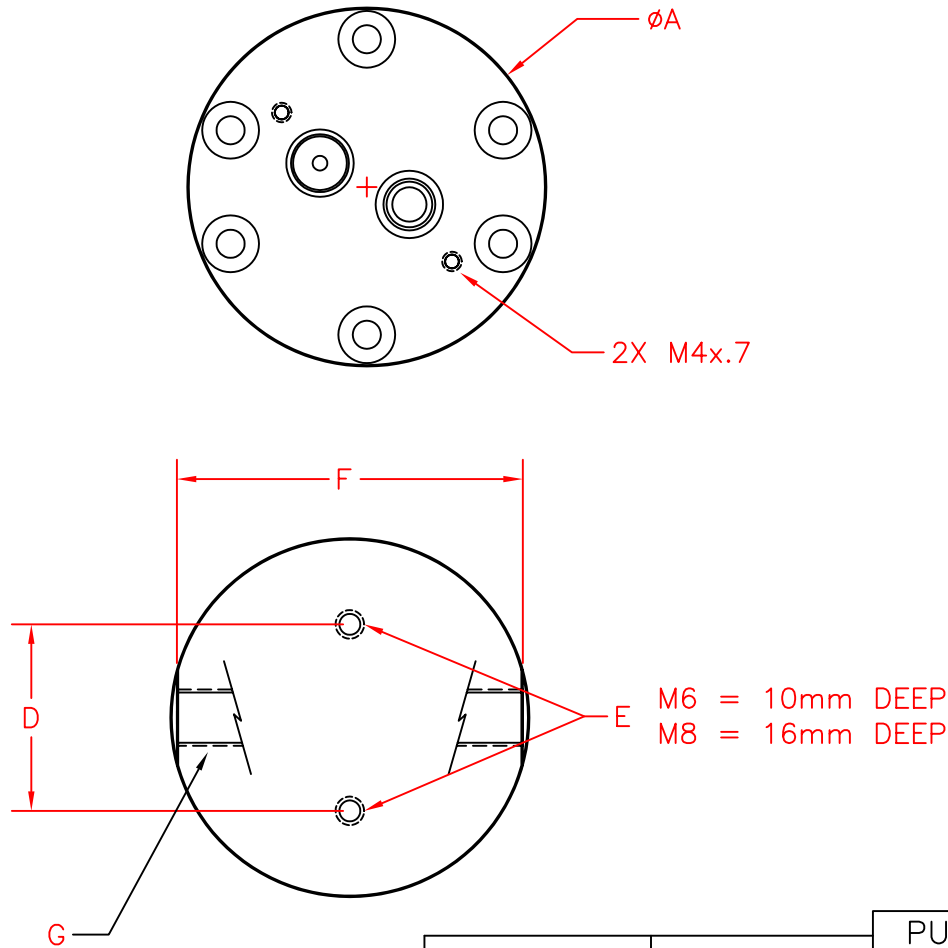


JVx-xxKG DIMENSIONS



DIMENSIONS = ^{mm}
(inch)

OLD MODEL	NEW MODEL	PUL/GAL (AVERAGE)	A	B	C	D	E	F	G
JV-10KL	JV-12KG	53,000	76 (2.99)	55 (2.17)	12 (0.47)	44 (1.73)	M6	72 (2.83)	1/4" NPT
JV-20KL	JV-20KG	15,900	84.4 (3.32)	55 (2.17)	12 (0.47)	44 (1.73)	M6	80 (3.15)	1/4" NPT
- - -	JV-30KG	6,600	84.4 (3.32)	67 (2.64)	13 (0.51)	44 (1.73)	M6	80.4 (3.17)	1/2" NPT
JV-60KL	JV-60KG	1,800	125 (4.92)	107 (4.21)	19 (0.75)	60 (2.36)	M8	119 (4.69)	3/4" NPT

DIMENSIONS SUBJECT TO CHANGE WITHOUT NOTICE

PURCHASED PART DRAWING

THIS PRINT, INCLUDING THE INFORMATION CONTAINED IN IT, IS THE PROPERTY OF AW COMPANY. IT IS CONSIDERED PROPRIETARY IN NATURE AND MAY NOT BE USED OR DISCLOSED OUTSIDE OF AW COMPANY, EXCEPT UNDER PRIOR WRITTEN AGREEMENT. ANY MODIFICATIONS MADE TO OR COMMENTS WRITTEN ON THIS DRAWING BY UNAUTHORIZED PERSONNEL WILL VOID THIS DRAWING. ALL DIMENSIONS SHOWN ARE SUBJECT TO CHANGE WITHOUT NOTICE.



AW COMPANY
8809 INDUSTRIAL DRIVE
FRANKSVILLE, WI 53126
TEL. # (262) 884-9800
FAX. # (262) 884-9810

TITLE: JV-XXXKG DIMENSIONS			
DRAWING NUMBER: KG1D100C		PART NUMBER: -	
DATE: 02-04-05	REV: C	DRAWN BY: CHRIS HUSSON	
CHECKED BY: C.H.	PAGE 1 OF 1	SCALE: NONE	