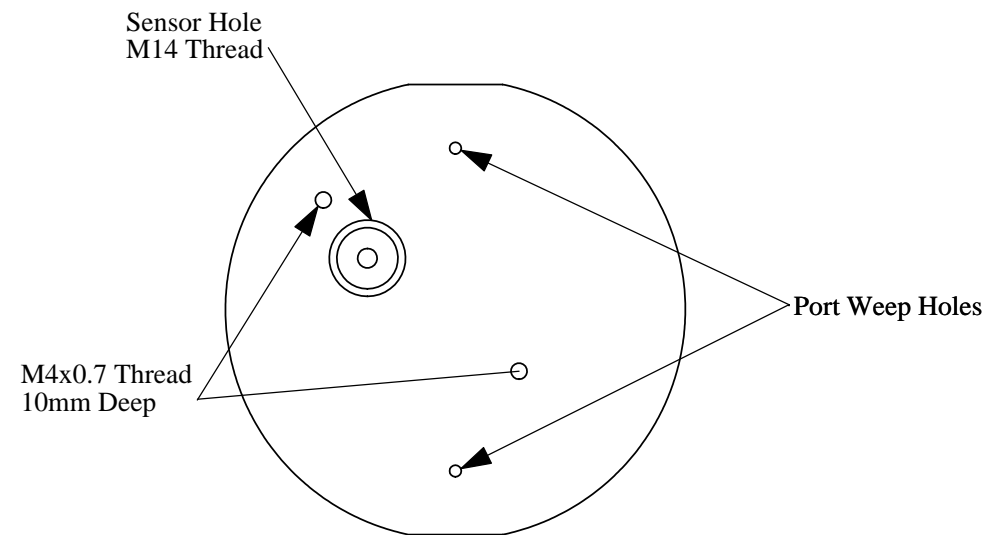
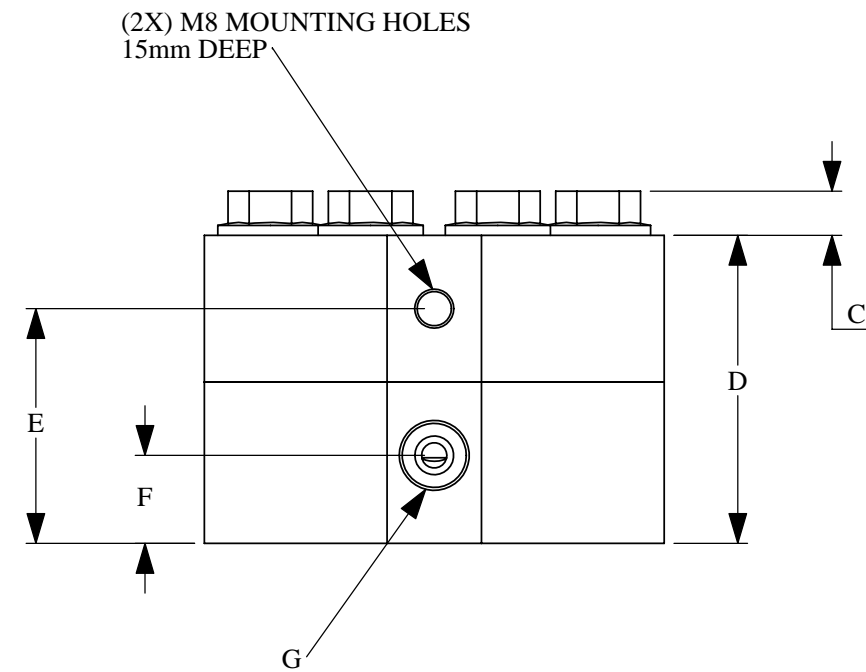
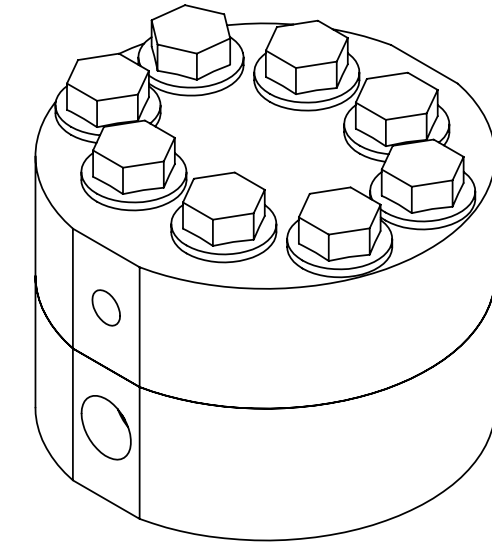
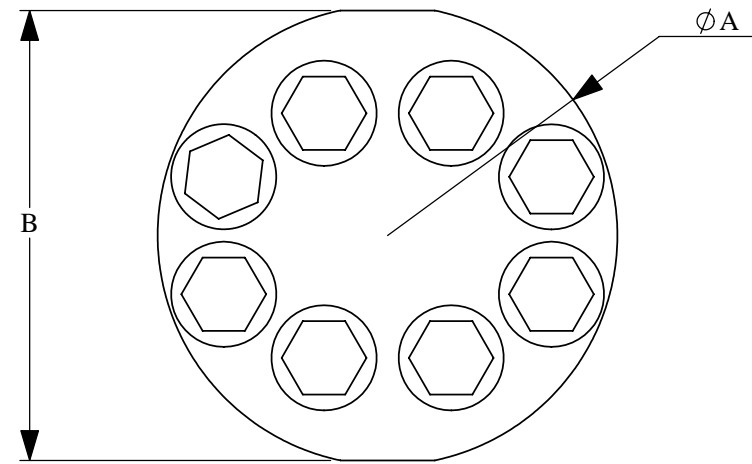


JVHS-xxKG DIMENSIONS

316ss HOUSING


15,000PSI WORKING PRESSURE



****DIMENSIONS SUBJECT TO CHANGE WITHOUT NOTICE****

MODEL	PUL/GAL (AVERAGE)	A	B	C	D	E	F	G
JVHS-12KG	53,000	3.70"	3.62"	.35"	2.48"	1.89"	.71"	3/8" Autoclave Medium Pressure
JVHS-20KG	15,900	3.70"	3.62"	.35"	2.48"	1.89"	.71"	3/8" Autoclave Medium Pressure
JVHS-30KG	6,600	3.70"	3.62"	.35"	2.95"	2.36"	.71"	3/8" Autoclave Medium Pressure

REVISION	DESCRIPTION	DATE	BY
A	Initial Release	03/16/06	SH

AW COMPANY USE ONLY		AW COMPANY	
<small>THIS PRINT, INCLUDING THE INFORMATION CONTAINED IN IT IS THE PROPERTY OF AW COMPANY. IT IS CONSIDERED PROPRIETARY IN NATURE AND MAY NOT BE USED OR DISCLOSED OUTSIDE OF AW COMPANY, EXCEPT UNDER PRIOR WRITTEN AGREEMENT. ANY MODIFICATIONS MADE TO OR COMMENTS WRITTEN ON THIS DRAWING BY UNAUTHORIZED PERSONNEL WILL VOID THIS DRAWING. ALL DIMENSIONS SHOWN ARE SUBJECT TO CHANGE WITHOUT NOTICE.</small>			
		<small>8809 INDUSTRIAL DR. FRANKSVILLE, WI 53126 TEL. # (262) 884-9800 FAX. # (262) 884-9810</small>	
		<small>TITLE: JVHS-XXKG Dimensions</small>	
		<small>PART NUMBER: --</small>	
<small>DRAWING NUMBER: JVHS802A</small>		<small>REV: A</small>	
<small>DRAWN BY: S. Honsberger</small>		<small>DATE: 03/16/06</small>	
<small>CHECKED BY: C.H.</small>		<small>PAGE: 1 OF 2</small>	
		<small>SCALE: 1:1</small>	