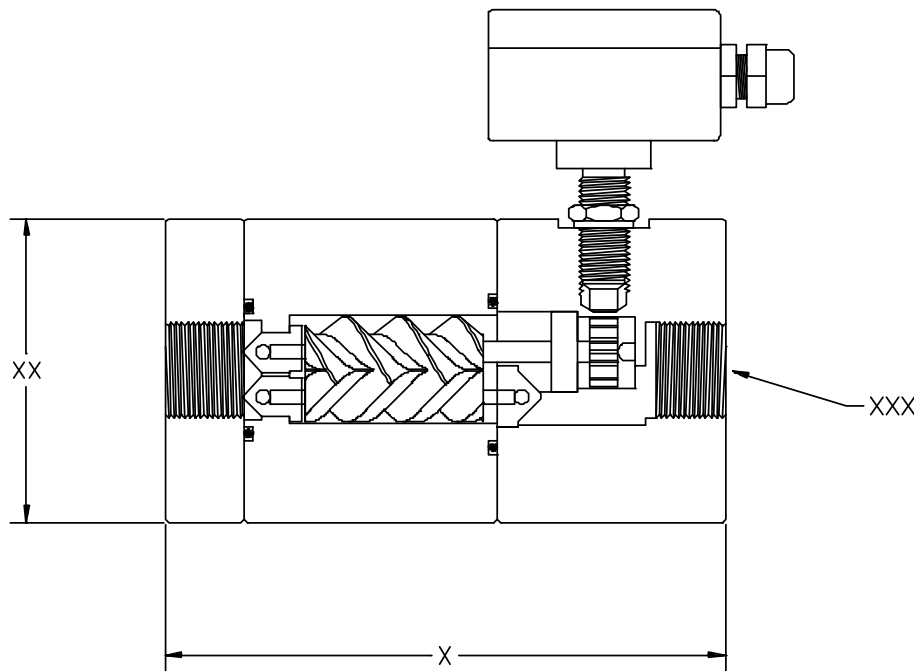


SRZ METER DIMENSIONS



X=LENGTH
 XX=DIAMETER
 XXX=PORT SIZE

SRZ-10

X=4.0"
 XX=2.3"
 XXX=1/4" BSP

SRZ-20

X=4.875"
 XX=3.0"
 XXX=1/2" BSP

SRZ-40

X=6.1"
 XX=3.4"
 XXX=3/4" BSP

SRZ-100

X=8.7"
 XX=4.4"
 XXX=1" BSP

SRZ-400

X=12.5"
 XX=5.25"
 XXX=1 1/2" BSP

THIS PRINT, INCLUDING THE INFORMATION CONTAINED IN IT, IS THE PROPERTY OF AW COMPANY. IT IS CONSIDERED PROPRIETARY IN NATURE AND MAY NOT BE USED OR DISCLOSED OUTSIDE OF AW COMPANY, EXCEPT UNDER PRIOR WRITTEN AGREEMENT. ANY MODIFICATIONS MADE TO OR COMMENTS WRITTEN ON THIS DRAWING BY UNAUTHORIZED PERSONNEL WILL VOID THIS DRAWING.



AW COMPANY
 FRANKVILLE, WI 53125

TITLE: SRZ FLOW METER DIMENSIONS

DRAWING NUMBER: SRZX700A

PART NUMBER: —

DATE: 3-25-99

REV: A

DRAWN BY: SHANE WILSON

CHECKED BY: C.H.

PAGE 1 OF 1

SCALE: NONE