

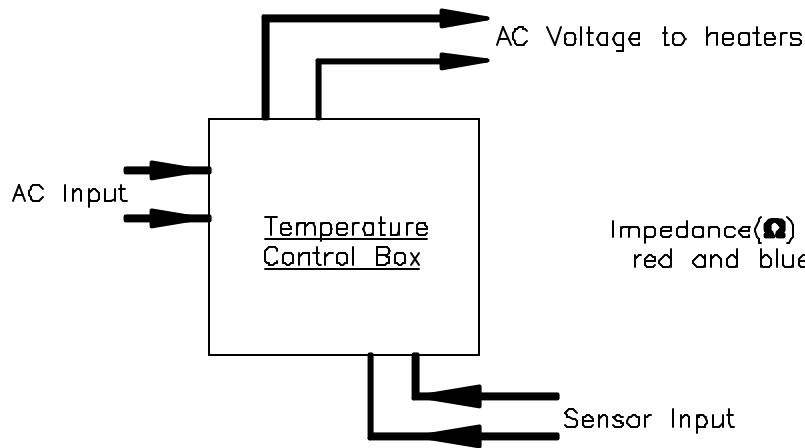
SRZ-40 w/HEATERS AND SENSOR

A White w/Black Stripe (LIVE AC)

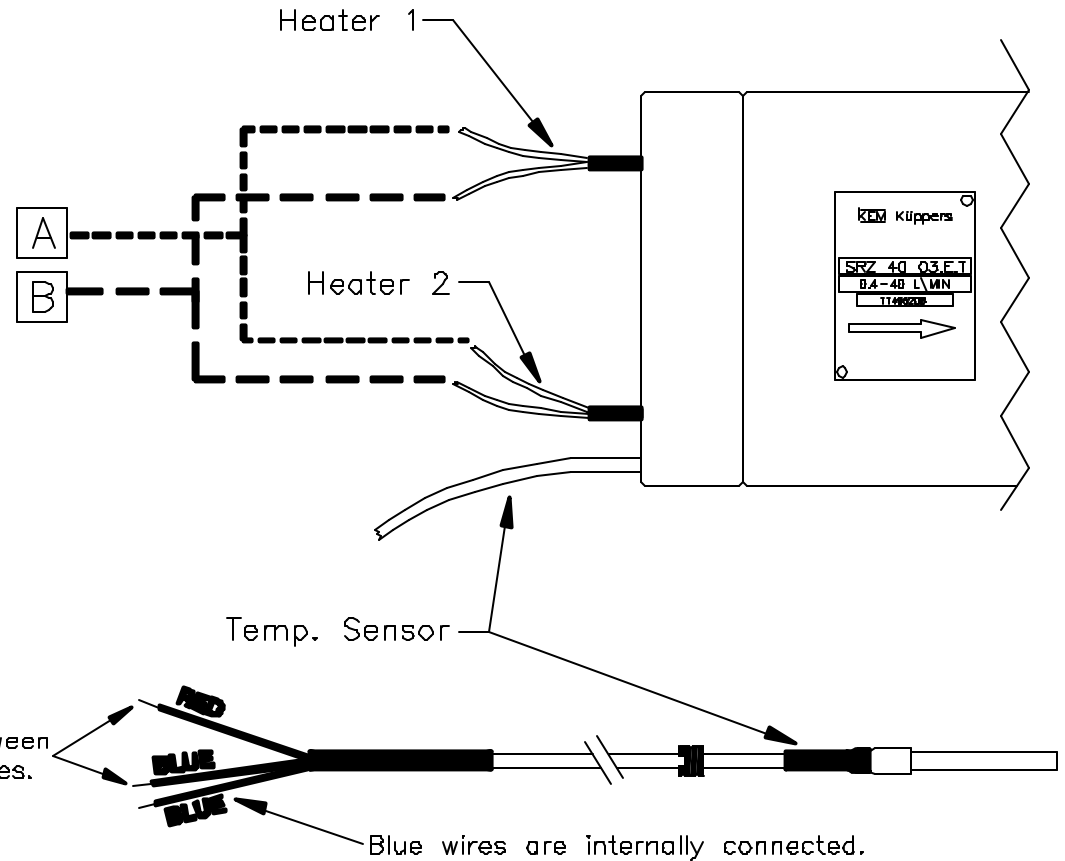
B White w/Yellow Stripe (NUETRAL AC)

1. The heater wires should be hooked up in PARALLEL with its respected AC voltage from the control box.

2. The sensor wires should be connected to the temperature control box with the two blue wires tied together. There is no polarity between the red and blue wires.



Heaters should be pushed in completely when voltage is applied.



Heater Specifications

110Volts AC = 100Watts

220Volts AC = 200Watts

PURCHASED PART DRAWING

THIS PRINT, INCLUDING THE INFORMATION CONTAINED IN IT, IS THE PROPERTY OF AW COMPANY. IT IS CONSIDERED PROPRIETARY IN NATURE AND MAY NOT BE USED OR DISCLOSED OUTSIDE OF AW COMPANY, EXCEPT UNDER PROOF WRITTEN AGREEMENT. ANY MODIFICATIONS MADE TO OR COMMENTS WRITTEN ON THIS DRAWING BY UNAUTHORIZED PERSONNEL WILL VOID THIS DRAWING. ALL DIMENSIONS SHOWN ARE SUBJECT TO CHANGE WITHOUT NOTICE.



AW COMPANY
 6000 INDUSTRIAL DRIVE
 FERRISVILLE, OH 43024
 TEL: 614-235-2200
 FAX: 614-235-2200

TITLE: SRZ-40 w/ HEATERS AND SENSOR

DRAWING NUMBER: SRZ4501A PART NUMBER: ---

DATE: 10-29-99 REV: A DRAWN BY: SHANE WILSON

CHECKED BY: A.W. PAGE 1 OF 1 SCALE: NONE