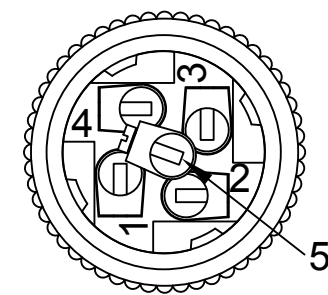
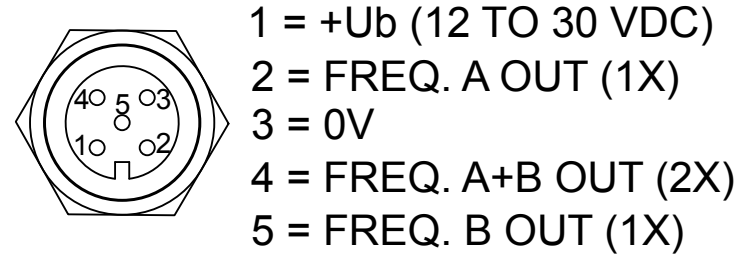
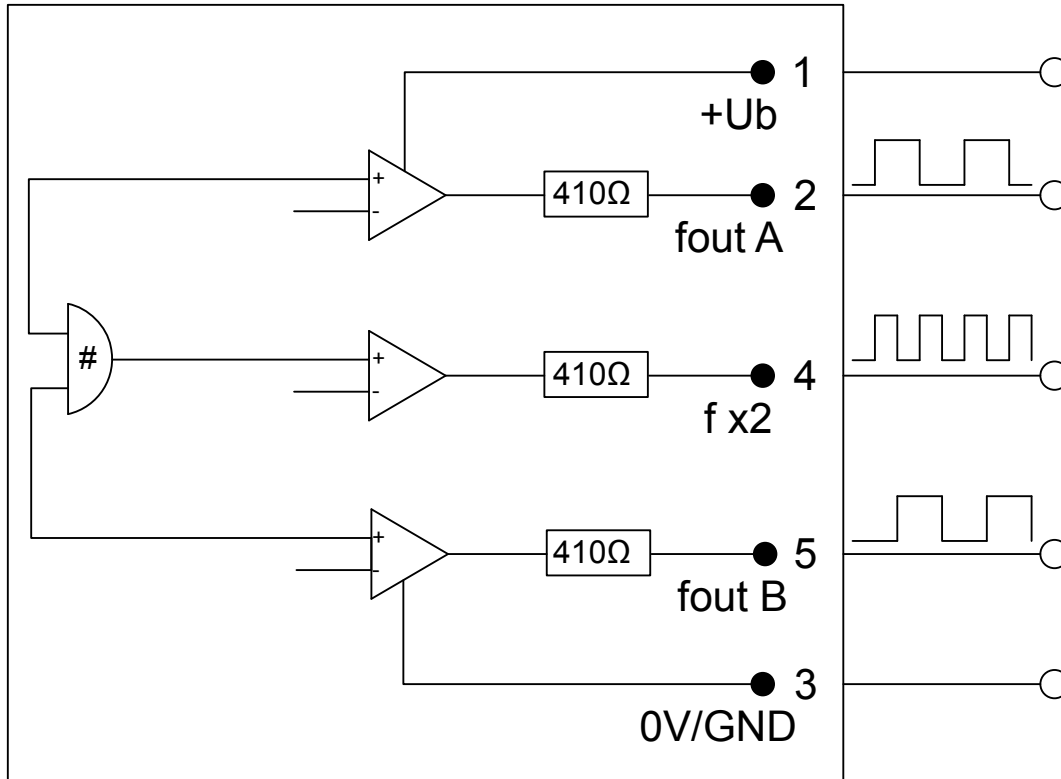
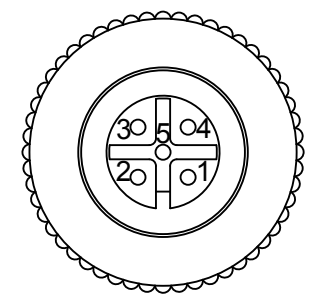


SRZ-40 STAT HELICAL FLOWMETER WITH DUAL INTEGRAL SENSOR



MATING CONNECTOR REAR VIEW




MATING CONNECTOR FRONT VIEW

REV.	DESCRIPTION OF CHANGE	DATE	BY
B	ADDED WAVEFORMS & OUTLINE BOX	04-30-09	FJ
A	INITIAL RELEASE	09-12-07	FJ

AW-LAKE COMPANY USE ONLY

THIS PRINT, INCLUDING THE INFORMATION CONTAINED IN IT, IS THE PROPERTY OF AW-LAKE COMPANY. IT IS CONSIDERED PROPRIETARY IN NATURE AND MAY NOT BE USED OR DISCLOSED OUTSIDE OF AW-LAKE COMPANY, EXCEPT UNDER PRIOR WRITTEN AGREEMENT. ANY MODIFICATIONS MADE TO OR COMMENTS WRITTEN ON THIS DRAWING BY UNAUTHORIZED PERSONNEL WILL VOID THIS DRAWING. ALL DIMENSIONS SHOWN ARE SUBJECT TO CHANGE WITHOUT NOTICE.



8809 INDUSTRIAL DRIVE
FRANKSVILLE, WI 53126
TEL. # (262) 884-9800
FAX. # (262) 884-9810

AW-LAKE COMPANY

TITLE: SRZ-40STAT W/DUAL SENSOR

DRAWING NUMBER: SRZ40A900A	PART NUMBER: BD00056
DATE: 09-12-07	REV: A
CHECKED BY: F.J.	DRAWN BY: FRED JACOBSON
PAGE 1 OF 1	SCALE: NONE