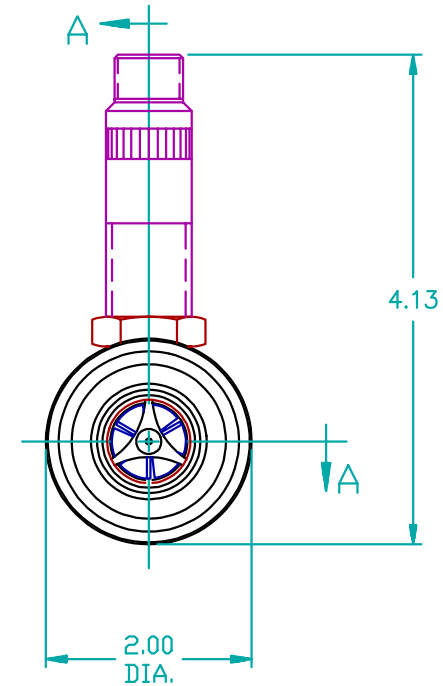
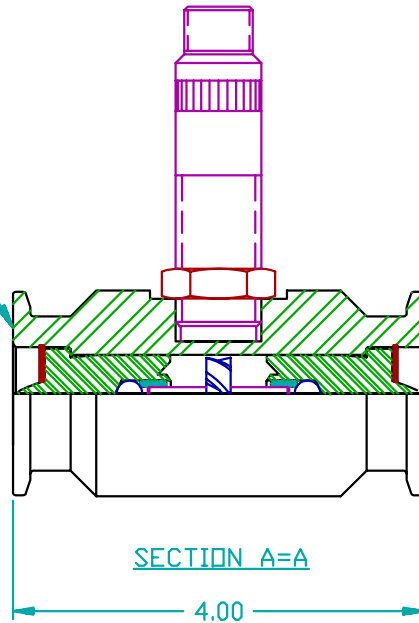


# TA3-150-875 SANITARY TURBINE

1-1/2" END CONNECTIONS (BOTH ENDS)



GENERAL SPECIFICATIONS:

SANITARY RATING = 3A COMPLIANT

CLAMP SIZE = 1-1/2"

FLOW RATE = 3 - 30 GPM

PRESSURE RATING: 1000 psi

BEARING MATERIAL: NICKEL BINDERY  
TUNGSTEN CARBIDE

WEIGHT = 3 LBS.

**PURCHASED PART DRAWING**

THIS PRINT, INCLUDING THE INFORMATION CONTAINED IN IT, IS THE PROPERTY OF AW COMPANY. IT IS CONSIDERED PROPRIETARY IN NATURE AND MAY NOT BE USED OR DISCLOSED OUTSIDE OF AW COMPANY, EXCEPT UNDER PRIOR WRITTEN AGREEMENT. ANY MODIFICATIONS MADE TO OR COMMENTS WRITTEN ON THIS DRAWING BY UNAUTHORIZED PERSONNEL WILL VOID THIS DRAWING. ALL DIMENSIONS SHOWN ARE SUBJECT TO CHANGE WITHOUT NOTICE.



**AW COMPANY**  
8809 INDUSTRIAL DRIVE  
FRANKSVILLE, WI 53126  
TEL. # (262) 884-9800  
FAX. # (262) 884-9810

TITLE: TA3-150-875 SANITARY TURBINE	
DRAWING NUMBER: TA31703A	PART NUMBER: TA3-150-875
DATE: 03-23-01	REV: A DRAWN BY: SHANE WILSON
CHECKED BY: S.W.	PAGE 1 OF 1 SCALE: NONE