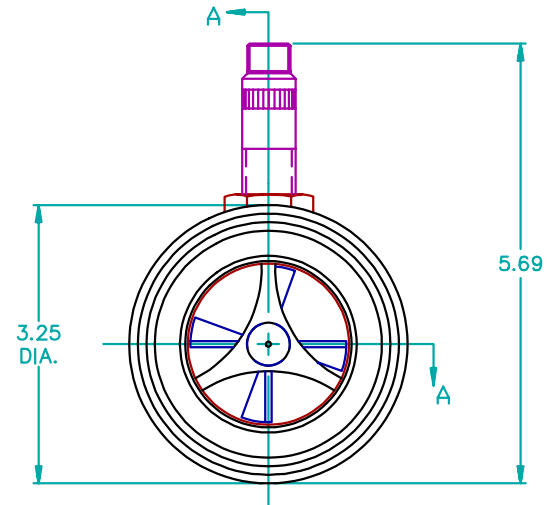
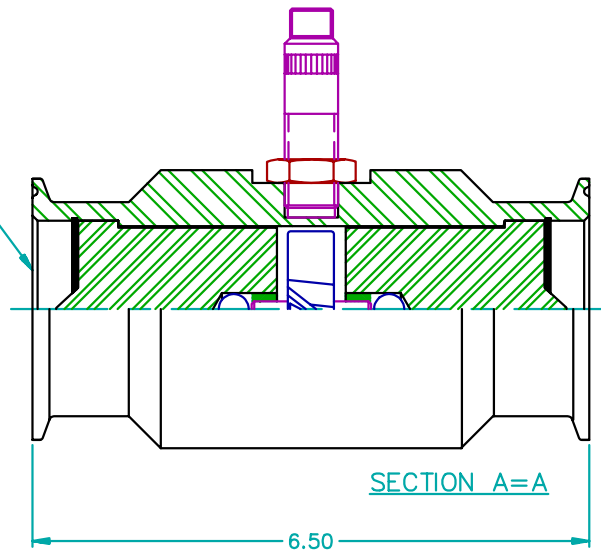


TA3-250-200 SANITARY TURBINE

2-1/2" END CONNECTIONS (BOTH ENDS)



GENERAL SPECIFICATIONS:
 SANITARY RATING = 3A COMPLIANT
 CLAMP SIZE = 2-1/2"
 FLOW RATE = 40-400 GPM
 PRESSURE RATING: 1000 psi
 BEARING MATERIAL: NICKEL BINDERY
 TUNGSTEN CARBIDE
 WEIGHT = 8 LBS.

PURCHASED PART DRAWING

THIS PRINT, INCLUDING THE INFORMATION CONTAINED IN IT, IS THE PROPERTY OF AW COMPANY. IT IS CONSIDERED PROPRIETARY IN NATURE AND MAY NOT BE USED OR DISCLOSED OUTSIDE OF AW COMPANY, EXCEPT UNDER PRIOR WRITTEN AGREEMENT. ANY MODIFICATIONS MADE TO OR COMMENTS WRITTEN ON THIS DRAWING BY UNAUTHORIZED PERSONNEL WILL VOID THIS DRAWING. ALL DIMENSIONS SHOWN ARE SUBJECT TO CHANGE WITHOUT NOTICE.



AW COMPANY
 8809 INDUSTRIAL DRIVE
 FRANKSVILLE, WI 53126
 TEL. # (262) 884-9800
 FAX. # (262) 884-9810

TITLE: TA3-250-200 SANITARY TURBINE	
DRAWING NUMBER: TA32700A	PART NUMBER: TA3-250-200
DATE: 03-23-01	REV: A DRAWN BY: SHANE WILSON
CHECKED BY: S.W.	PAGE 1 OF 1 SCALE: NONE