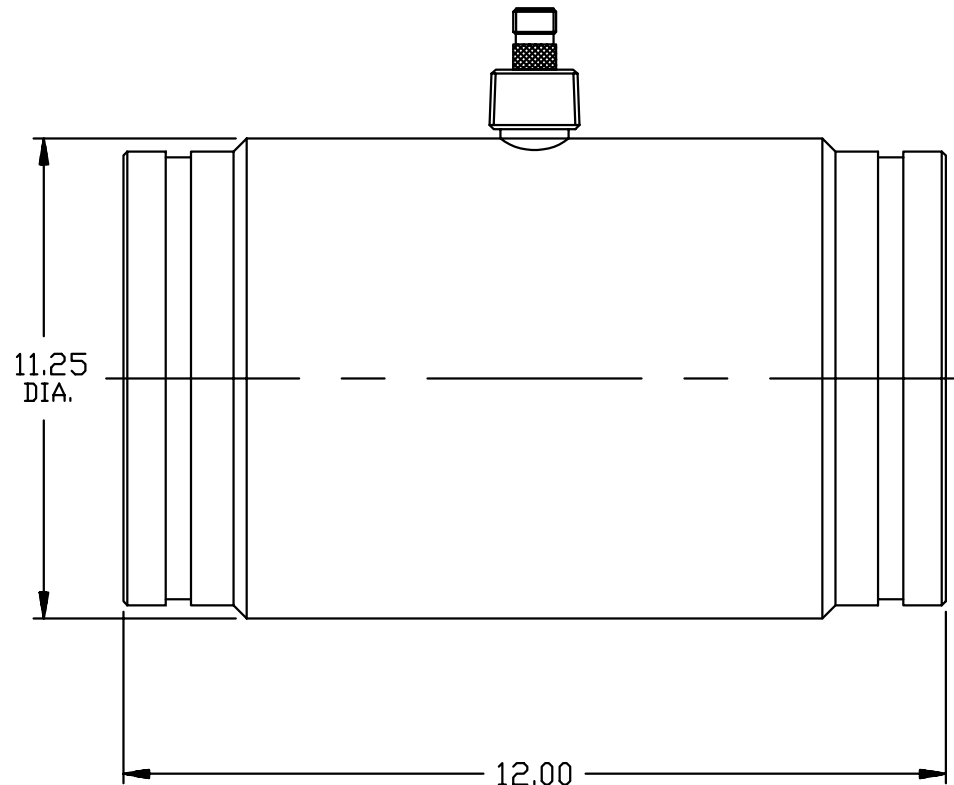
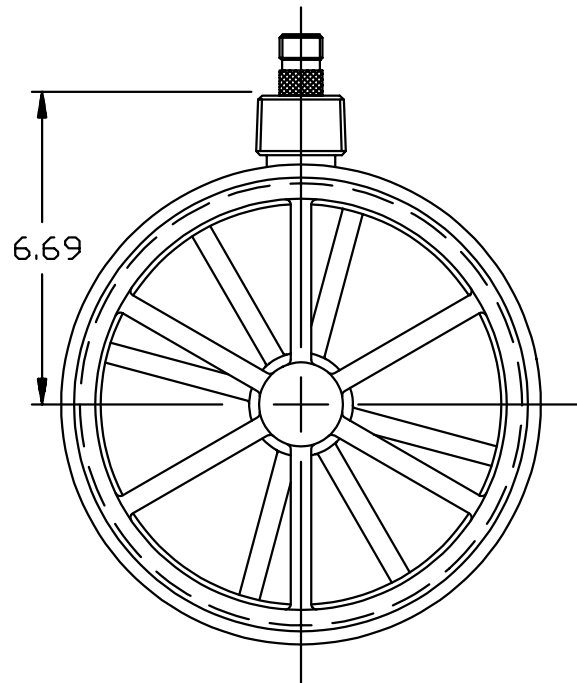


1100 TURBINE METER



SPECIFICATIONS:
 FLOW RATE: 500 – 5000 GPM
 PRESSURE RATING: 800 psi
 TEMPERATURE RATING: -150 to +350°F
 WEIGHT: 80 LBS

PURCHASED PART DRAWING

THIS PRINT, INCLUDING THE INFORMATION CONTAINED IN IT, IS THE PROPERTY OF AW COMPANY. IT IS CONSIDERED PROPRIETARY IN NATURE AND MAY NOT BE USED OR DISCLOSED OUTSIDE OF AW COMPANY, EXCEPT UNDER PRIOR WRITTEN AGREEMENT. ANY MODIFICATIONS MADE TO OR COMMENTS WRITTEN ON THIS DRAWING BY UNAUTHORIZED PERSONNEL WILL VOID THIS DRAWING. ALL DIMENSIONS SHOWN ARE SUBJECT TO CHANGE WITHOUT NOTICE.



AW COMPANY
 8809 INDUSTRIAL DRIVE
 FRANKSVILLE, WI 53126
 TEL. # (262) 884-9800
 FAX. # (262) 884-9810

TITLE: 1100 TURBINE - 10" TURBINE - 10" GROOVED ENDS			
DRAWING NUMBER: TR11801A		PART NUMBER: -	
DATE: 10-12-00	REV: A	DRAWN BY: SHANE WILSON	
CHECKED BY: S.W.	PAGE 1	OF 1	SCALE: NONE