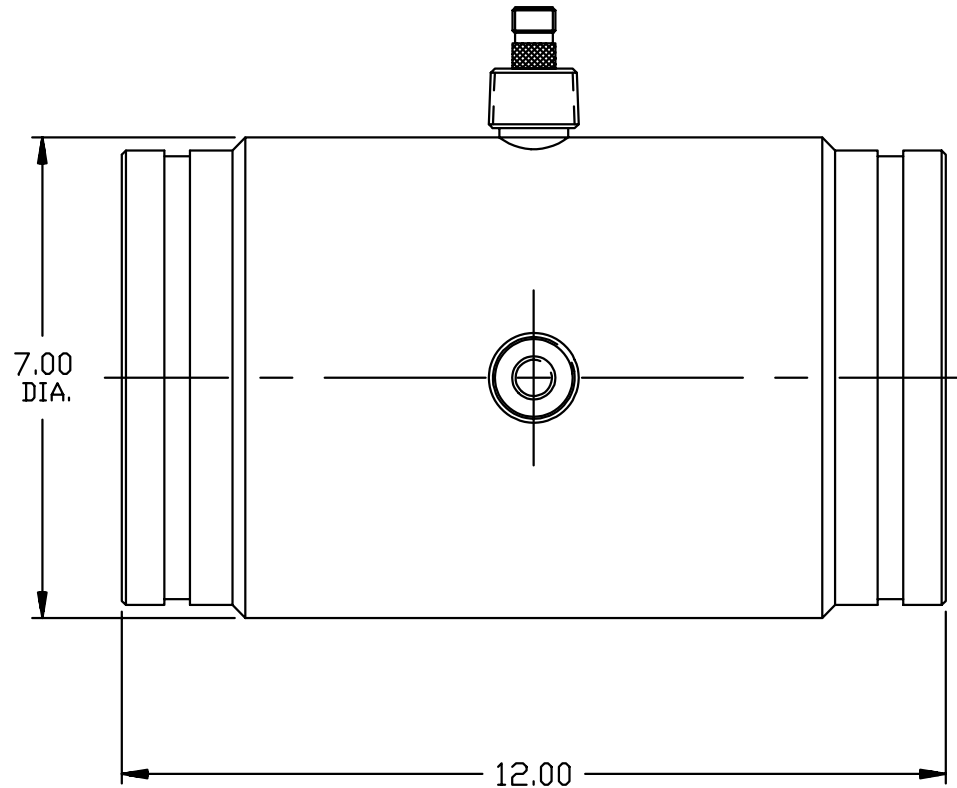
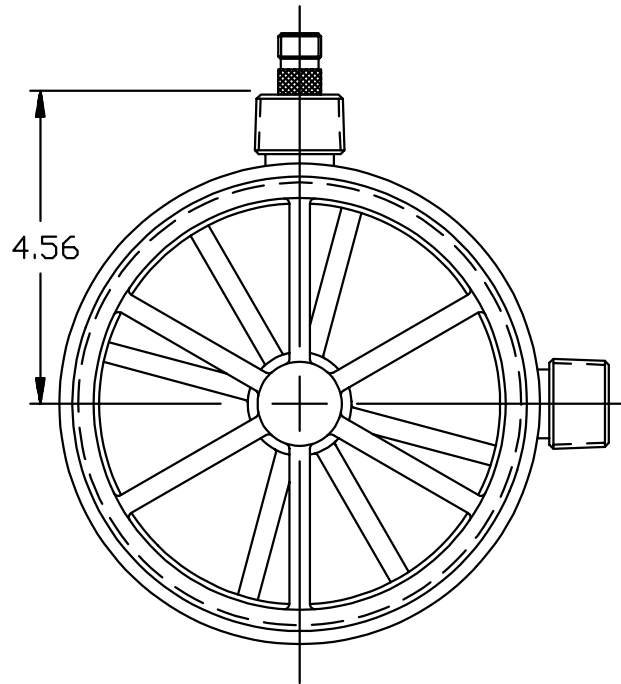


# 1160 TURBINE METER



**SPECIFICATIONS:**

FLOW RATE: 200 – 2500 GPM

PRESSURE RATING: 800 psi

TEMPERATURE RATING: -150 to +350°F

WEIGHT: 45 LBS

**PURCHASED PART DRAWING**

THIS PRINT, INCLUDING THE INFORMATION CONTAINED IN IT, IS THE PROPERTY OF AW COMPANY. IT IS CONSIDERED PROPRIETARY IN NATURE AND MAY NOT BE USED OR DISCLOSED OUTSIDE OF AW COMPANY, EXCEPT UNDER PRIOR WRITTEN AGREEMENT. ANY MODIFICATIONS MADE TO OR COMMENTS WRITTEN ON THIS DRAWING BY UNAUTHORIZED PERSONNEL WILL VOID THIS DRAWING. ALL DIMENSIONS SHOWN ARE SUBJECT TO CHANGE WITHOUT NOTICE.



**AW COMPANY**  
 8809 INDUSTRIAL DRIVE  
 FRANKSVILLE, WI 53126  
 TEL. # (262) 884-9800  
 FAX. # (262) 884-9810

|  |        |                        |             |
|--|--------|------------------------|-------------|
| TITLE: 1160 TURBINE - 6" TURBINE - 6" GROOVED ENDS |        |                        |             |
| DRAWING NUMBER: TR60800A                           |        | PART NUMBER: -         |             |
| DATE: 09-19-01                                     | REV: A | DRAWN BY: SHANE WILSON |             |
| CHECKED BY: S.W.                                   | PAGE 1 | OF 1                   | SCALE: NONE |