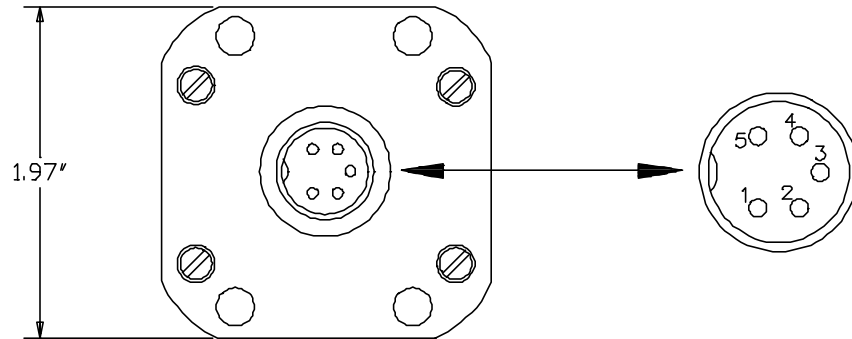


VTE-CT & VTE-CM PICKUPS

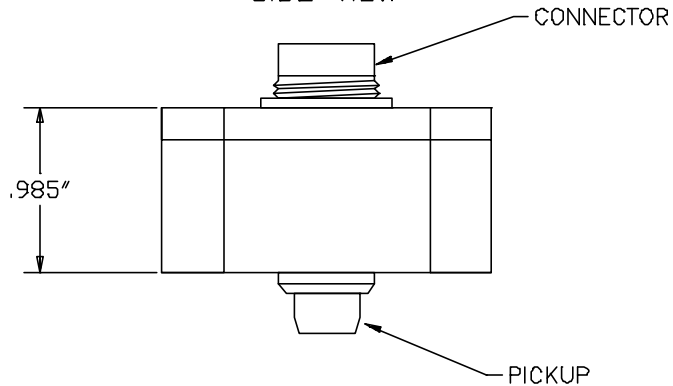
TOP VIEW



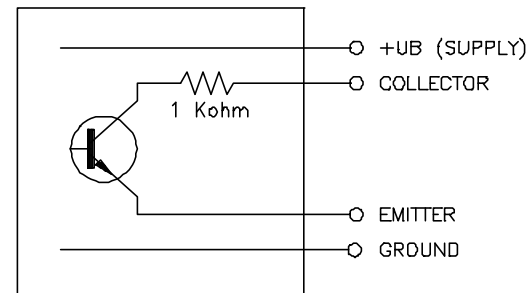
SENSOR PINOUT

- 1 - SUPPLY
- 2 - GROUND
- 3 - N.C.
- 4 - OPEN COLLECTOR SIGNAL (COLLECTOR)
- 5 - OPEN COLLECTOR SIGNAL (EMITTER)

SIDE VIEW



OUTPUT CIRCUIT



PURCHASED PART DRAWING

THIS PRINT, INCLUDING THE INFORMATION CONTAINED IN IT, IS THE PROPERTY OF AW COMPANY. IT IS CONSIDERED PROPRIETARY IN NATURE AND MAY NOT BE USED OR DISCLOSED OUTSIDE OF AW COMPANY, EXCEPT UNDER PRIOR WRITTEN AGREEMENT. ANY MODIFICATIONS MADE TO OR COMMENTS WRITTEN ON THIS DRAWING BY UNAUTHORIZED PERSONNEL WILL VOID THIS DRAWING.



AW COMPANY
FRANKSVILLE, WI 53125

TITLE: VTE-CT & VTE-CM PICKUPS			
DRAWING NUMBER: VTEC300A	PART NUMBER: —		
DATE: 3-25-99	REV: A	DRAWN BY: SHANE WILSON	
CHECKED BY: C.H.	PAGE 1	OF 1	SCALE: NONE