



AW FLOW METERS

ACM Series Mass Coriolis Flow Meter



Technical Specifications:

- Aggressive or contaminated fluids
- Maximum temperature 250° F
- Pressure rating up to 5000 PSI
- Registered with 3A Sanitary Standards
- Accuracy of ± 0.5 % of reading
- Excellent purging & sterilization
- Three analog outputs
- BSPP, Flange or Tri-Clamp connections

What is a ACM Mass Coriolis Meter?

Utilizing the Coriolis principle, the ACM series of flow meters are superior process control tools that allow real-time measurement of density and flow in liquids, slurries and gases. The ACM line features excellent accuracy and large turndowns in single or dual tube designs. The meters feature no moving parts and smooth flow tubes of 316 stainless steel resulting in a design that is easy-to-clean and maintain. As material flows through the meter, the flow tube is vibrated and the resulting Coriolis forces are measured to determine mass flow rate and density. This principle has virtually universal applications, from industrial paints to sanitary beverages and from non-Newtonian fluids to particle-filled materials. In addition to mass flow and density, the ACM meters provide measurements of temperature and volumetric flow. A wide range of analog or pulse output and local or remote display options are available.



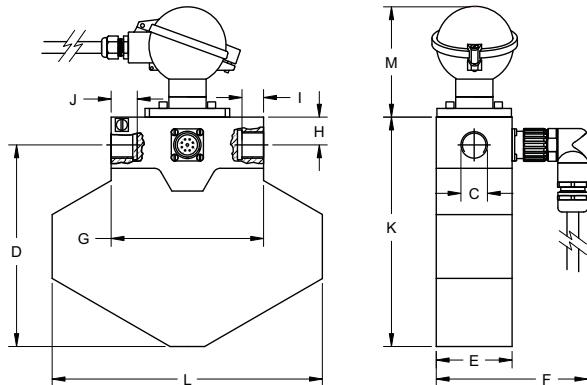
AW FLOW METERS

ACM Series

Mass Coriolis Flow Meter

Meter Technical Data

Materials of Construction:
Body: Stainless Steel DIN 1.4571 (AISI 316Ti)
Temperature: -20°F to 250° F
Pressure: 5000 PSI Max.
Electrical Connection: 9-Pin contact connector
Porting: 1/2" BSPP standard
 1-1/2" Tri-Clamp ends (ACM300,1500 & 3000)
 Adapters Available: Flange
Maximum Cable Length: 65 Feet between transducer & transmitter
Ingress Protection: IP67
Accuracy: ± 0.5% of reading



Note: ACM-300, -600, -1500, & -3000 flow meters supplied previous to 9-07 have an electrical connector. Meters supplied after 9-07 have a terminal junction box instead of connector.

Model Number	Flow Range KG / Hour	Flow Range Grams / Minute	Internal Diameter
ACM 300*	5 to 300	83 to 5,000	4 mm
ACM 600	9 to 600	150 to 10,000	4 mm
ACM 1500*	25 to 1,500	416 to 25,000	8 mm
ACM 3000*	50 to 3,000	833 to 50,000	8 mm

*Available with 3-A certification

Dimension in inches	ACM300	ACM600	ACM1500 ACM3000
C	1/2" BSPP	1/2" BSPP	1/2" BSPP
D	6-1/4	6-1/4	10-3/16
E	2-3/8	2-3/8	2-5/16
F	4-3/4	4-3/4	4-11/16
G	4-5/16	3-7/16	5-1/2
H	7/8	7/8	7/8
I	9/16	9/16	11/16
J	3/4	3/4	7/8
K	7-3/16	7-3/16	11-1/16
L	8-7/16	8-7/16	13-3/4
M	3-7/16	3-7/16	3-7/16

Transmitter Technical Data

1 Analog Output: 4-20mA active, 2 wire galvanically separated, free programmable for mass, density, temperature and total

2 Analog Outputs: 0-5V (30 mA) free programmable for mass density, temperature and total

Interface: RS 485

1 Pulse output: Free adjustable for mass flow, open collector $V_{CE} < 30V$, $I_{CE} < 100$ mA

Switch output: Open collector with batch function $V_{CE} < 30V$, $I_{CE} < 100$ mA

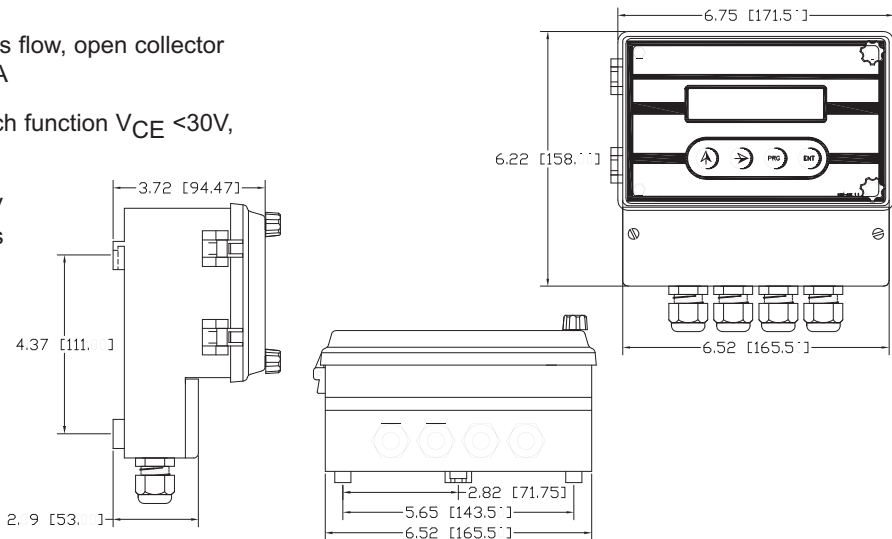
2 Switch Inputs: Passive on >4V, off <1V programmable functions

Display: 2 line alpha numerical display

Supply Voltage: 14-26 VDC, 100 mA

Temperature: 0 up to 122° F

Housing: Wall-mounted housing



Products may be subject to change without notice – Contact factory for current information